

Wood Cookstoves



Heartland



Wood-fired Warmth and Taste





Shown in Black

Heartland Classic Wood Cookstove Collection

Heartland's sturdy cast iron cookstoves have been cooking meals, heating homes and warming water for almost a century. And today's models offer the same dependability, comfort and tremendous versatility—with important changes to make your life far easier than your ancestor's.

Unforgettable Flavor

The oven radiates heat from all sides, cooking food evenly and to perfection every time. Find out why your grandmother said that nothing matched a pie baked in the cookstove.

Reliable Heat Source

Keep your home glowing through ice, snow and power failures. No matter what is happening outside, you can still enjoy everything from a hot cup of cocoa, a warm basin of water to a snug night's sleep.

Produces Hot Water

Certain models offer an optional copper reservoir with a tap or hot water jacket. The water jacket can heat a 40-gallon water tank in an hour with the stove running at full operation. Many owners choose to run this system on a thermosyphon*, eliminating the need for electricity. And, the water reservoir provides ample humidity for the room air.

Lighten Your Workload

Heartland cookstoves are a breeze to maintain. Wood or coal can be loaded from the top or front, and the oven interior is porcelain coated with an ash pan that slides out for cleaning. This is the good old days—only better.



*Note: Refer to water jacket manual and have it installed by a professional.

Heartland Classic Wood Cookstove Features

Solid cast iron cooking surface

Large firebox for improved efficiency (less chopping and stoking)

Ash pan on sliding track

Optional Features: Coal Grate Kit (required for coal burning), Fresh Air Kit, Heat Shield and/or Summer Grate Stand for reduced installation clearances

All woodburning cookstoves require strict adherence to clearance requirements and venting considerations. Check installation manual for clearance specifications.

Models

Blackwood™ Wood Cookstove Model 2612

- 1.7 cubic foot oven
- Warms up to 1,500 square feet
- Top or front fuel loading
- Optional hot water jacket accessory
- Plate rack included
- Color: Black
- One (1) year limited warranty

Sweet Heart™ Classic Wood Cookstove Model 2602 (2603 with Reservoir)

- 1.7 cubic foot oven
- Warms up to 1,500 square feet
- Top or front fuel loading
- Upper warming cabinet
- Hot Water Options: Hot water jacket or 5-gallon copper water reservoir with spigot (Model 2603 only)
- Available in White, Ivory, and Black
- One (1) year limited warranty

Oval™ Wood Cookstove Model 1902 (1903 with Reservoir)

- 2.1 cubic foot oven
- Warms up to 1,800 square feet
- Top or front fuel loading
- Upper warming cabinet
- Hot Water Options: Hot water jacket or 5-gallon copper water reservoir with spigot (Model 1903 only)
- Available in White, Ivory, and Black
- One (1) year limited warranty



Shown in Black



Shown in Ivory



Shown in White

For specifications and color options, please refer to the page 6 of this brochure.





Shown in black with optional side shelves and overhead cupboard/warming oven

Waterford Stanley



A much-loved centerpiece of Irish country kitchens for nearly 100 years, the Waterford Stanley Cookstove of today combines classic charm with the benefits of cast iron cooking and home heating. And, the food decidedly tastes better when created on Stanley's expansive cooktop and in the large cast iron oven, capable of cooking a 25-pound turkey or large roast. Even a novice chef can quickly master grilling, frying, steaming, roasting and baking delicious meals on a Stanley cookstove.

As a home heater, the Waterford Stanley performs at the top of its class with primary and secondary combustion systems, controlled combustion firebox and long smoke path for high heat retention. And, its large firebox holds enough wood to heat a home for several hours.

Additional accessories include side shelves to increase workspace and an overhead warming oven to heat dishware or keep baked goods warm.

All woodburning cookstoves require strict adherence to clearance requirements and venting considerations. Check installation manual for clearance specifications.

Features

Model

Waterford Stanley Cookstove Model WSERWBNB

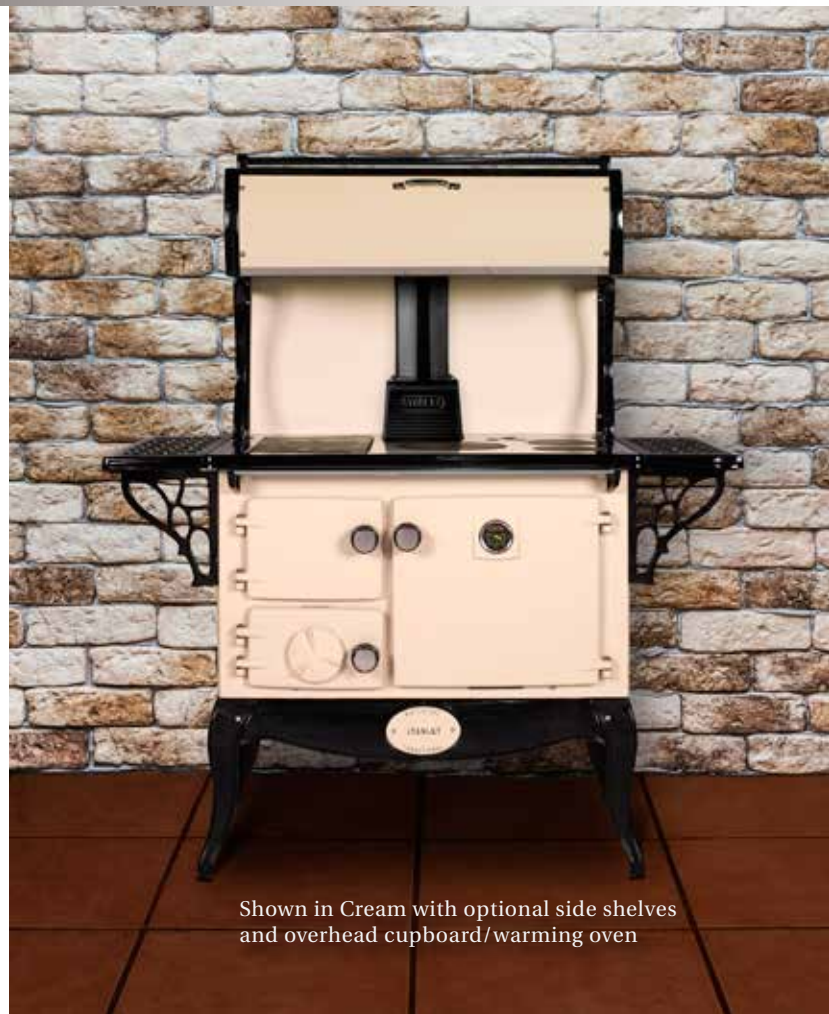
- 1.8 cubic foot oven
- Warms up to 1,300 square feet
- Solid cast iron cooking surface
- Top or front fuel loading
- Large firebox
- Built-in thermometer and precision draft spinwheel let you monitor and control temperature
- Heat shield included
- Available in Black, Blue, Cream, Green, and Matte Black
- One (1) year limited warranty



Optional side shelf for added workspace



Optional overhead cupboard/warming oven



Shown in Cream with optional side shelves and overhead cupboard/warming oven



Shown in Ivory

Heartland Artisan

The Heartland Artisan wood cookstove is unlike any other. The Artisan's gentle, radiant heat is transferred through the internal cast iron structure, spreading the heat evenly to the ovens and hotplates. By enveloping food in heat from all directions, flavors are sealed in without drying. You'll serve more succulent roasts, juicy on the inside and perfectly brown on the outside. Your vegetables will be more flavorful, retaining both texture and natural color. And the engineering that has gone into the Artisan will offer some of the lowest clearances available from any cookstove while still producing the natural opulent heat that only woodfired cooking can provide.

All woodburning cookstoves require strict adherence to clearance requirements and venting considerations. Check installation manual for clearance specifications.



Shown in Black

Features

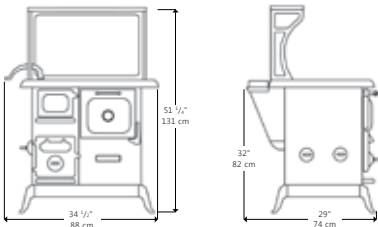
Models

Artisan Woodburning Cookstove Model HL-ARTISAN

- 1.5 cu.ft. main oven ideal for all types of cooking.
- Second oven below provides a second cooking area, operating about half the temperature of the main oven.
- Available in Black and Ivory
- Ultra-large firebox provides longer burn times and can accommodate wood up to 16" in length
- Two insulated lids help retain heat on the hotplate when closed. When open, heat radiates into the room.
- Going from a simmer to a boil is as easy as sliding the cookware across the hotplate.
- Temperature gauge indicates oven heat levels.
- Solid, cast iron construction and design allows for some of the lowest clearances in the industry
- One (1) year limited warranty

Technical Specifications

Blackwood



Black

Model: 2612

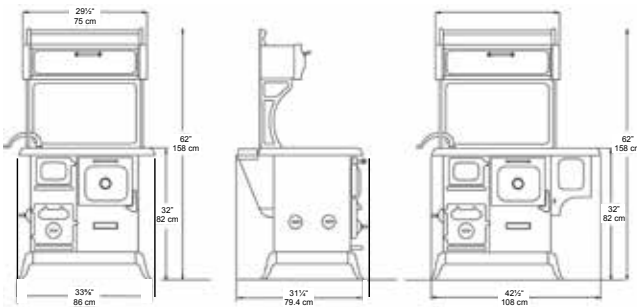
Weight: 413 lbs

- Weight: 413 lbs
- Flue size: 6"
- Cooking surface dimensions: 29 1/2" x 21"
- Oven size: 1.7 cu. ft.
- Heating capacity: 35,000 btu/hr
- Heat output: 800 to 1,500 sq. ft.
- Ideal wood length: 16"
- Ash pan on sliding track. Top or front fuel loading.
- Installation: Woodburning stoves require strict adherence to clearance requirements and venting considerations.

Additional Options:

- The coal grate package must be ordered for coal burning. (Part #S4500)
- A fresh air kit may be ordered for intake of outside combustion air. (Part #S1017)
- A water jacket may be ordered for domestic hot water heating. (Part #S4506)
- Heat shield kit is available to reduce clearances. (Part #S4241)
- Summer Grate Stand (Part #S4271)

Sweet Heart



2602

2603



Black



White



Ivory

Model: 2602 (no reservoir) 2603 (reservoir)

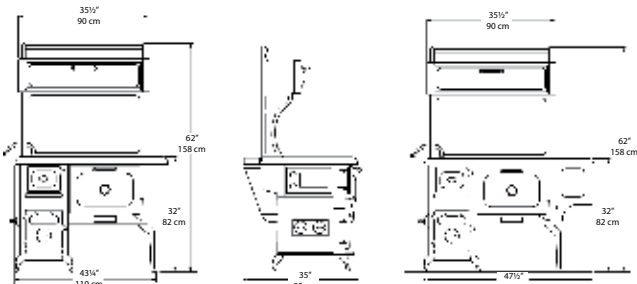
Weight: 432 lbs 475 lbs

- Flue size: 6"
- Cooking surface dimensions: 29 1/2" x 21"
- Oven size: 1.7 cu. ft.
- Heating capacity: 35,000 btu/hr
- Heat output: 800 to 1,500 sq.ft.
- Ideal wood length: 16"
- Available with or without 5-gallon copper water reservoir with spigot, which provides hot water for dishes, humidifying, canning, etc.
- Ash pan on sliding track. Top or front fuel loading.
- Installation: Woodburning cookstoves require strict adherence to clearance requirements and venting considerations. Consult your dealer for complete installation advice.

Additional Options:

- The coal grate package must be ordered for coal burning. (Part #S4500)
- A fresh air kit may be ordered for intake of outside combustion air. (Part #S1017)
- A water jacket may be ordered for domestic hot water heating. (Part #S4506)
- Heat shield kit is available to reduce clearances. (Part #S4241)
- Summer Grate Stand. (Part #S4271)

Oval



1902

1903



Black



White



Ivory

Model: 1902 (no reservoir) 1903 (reservoir)

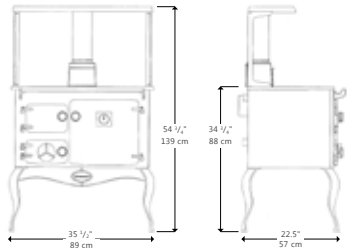
Weight: 602 lbs 640 lbs

- Flue size: 6"
- Cooking surface dimensions: 35 1/4" x 25 3/4"
- Oven size: 2.4 cu. ft.
- Heating capacity: 50,000 btu/hr
- Heat output: 1,200 to 1,800 sq.ft.
- Ideal wood length: 16"
- Available with or without 5-gallon copper water reservoir with spigot, which provides hot water for dishes, humidifying, canning, etc.
- Ash pan on sliding track. Top or front fuel loading.
- Installation: Woodburning cookstoves require strict adherence to clearance requirements and venting considerations. Consult your dealer for complete installation advice.

Additional Options:

- The coal grate package must be ordered for coal burning. (Part #S4500)
- A fresh air kit may be ordered for intake of outside combustion air. (Part #S1017)
- A water jacket may be ordered for domestic hot water heating. (Part #S4506)
- Heat shield kit is available to reduce clearances. (Part #S4241)

Waterford Stanley



Black



Blue



Cream



Green



Matte Black

Model: WSERWBNB

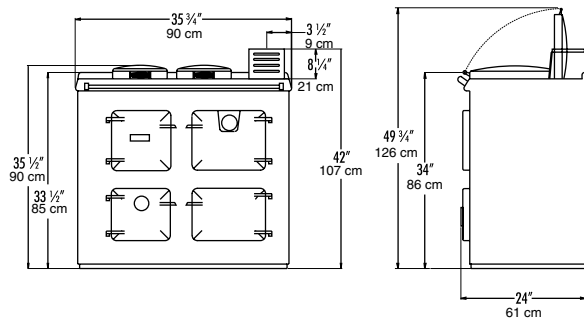
Weight: 734 lbs

- Flue size: 6"
- Flue rear clearance (with double wall pipe): 6"
- Stove rear clearance: 4"
- Cooking surface dimensions: 33 1/2" x 21"
- Oven size: 1.8247 cu. ft.
- Heating capacity: 35,000 btu/hr
- Heat output: 900 to 1,300 sq.ft.
- Burn time: 4 to 6 hours
- Ideal wood length: 16"
- Ash pan on sliding track. Top or front fuel loading.
- Installation: Woodburning cookstoves require strict adherence to clearance requirements and venting considerations. Consult your dealer for complete installation advice.

Additional Options:

- Side Shelves (Part #S1590011)
- Warming Oven (Part #SAWOOFCD)
- Backsplash Kit (Part #SAWOWBCD)

Heartland Artisan



Black



Ivory

Model: HL-ARTISAN

Weight: 855 lbs

- Flue size: 6"
- Cooking surface dimensions: 34 1/4" x 25 3/4"
- Oven size: 1.5 cu. ft. or a total of 2.4 cu. ft. upper and lower ovens
- Heating capacity: 45,000 btu/hr
- Heat output: 1200 to 1,700 sq.ft.
- Ideal wood length: 16"
- Temperature indicator on main oven.
- Ash pan on sliding track. Top or front fuel loading.
- Installation: Woodburning cookstoves require strict adherence to clearance requirements and venting considerations. Consult your dealer for complete installation advice.

Limited one (1) year warranty on parts and labor for Heartland and Waterford Stanley wood cookstove models with the exception of cosmetic damage to painted, porcelain enamel finish or plated surfaces, which are covered for 30 days. Warranties apply to product only in the country in which it was purchased. If the product is installed outside the normal service area, any cost of transportation expenses (tolls, ferry trip charges, or mileage expenses, etc.) involved in the repair of the product, or the replacement of a defective part, shall be borne by the customer (owner). Product is not intended for commercial installations. Warranty is void in any commercial-type application. Changes to the product may have occurred from the time this brochure was printed. Dimensions are for reference only. Please obtain a current installation manual for your produced model before beginning installation or rough-ins. Local authorities govern installation codes.

AGA MARVEL

Premium Cooking and Food and Wine Preservation Brands

AGA

Iconic ranges and cookers with unparalleled cooking precision, control, and styling

MARVEL

Premium food and wine preservation

La Cornue

The ultimate aspirational brand and world expert in domestic culinary art

Heartland

Nostalgic beauty and craftsmanship combined with modern performance

MARVEL Scientific

The quality leader in medical, scientific, and industrial refrigeration



United States

AGA MARVEL
1260 E Van Deine Street
Greenville, MI 48838
800-223-3900

Canada

AGA MARVEL - SOFA Galleries
6900 Airport Road, Suite 205
Mississauga ON, L4V 1E8
855-213-2785

AGA MARVEL

www.agamarvel.com

© AGA MARVEL 2013, all rights reserved.
Printed 9/13 02060 Rev. A

The information presented herein is based on the best data available at time of printing and is believed to be correct. However, nothing stated herein is to be taken as warranty, expressed or implied, regarding the accuracy of the information or the use of our product or products. Products might not appear exactly as shown in images. Specifications and product esthetics are subject to change without notice.