



15" Marvel Clear Ice Machine with Arctic White Illuminice™ Lighting

Model # ML15CL & ML15CP

Performance

- The quietest ice machine you can buy
- New energy-saving options conserve water and energy
- Engineered to consistently produce pure, clear ice with unrivaled clarity, immediate cooling and slower melt
- Its uniform size and compact density prove to be the optimal shape to provide faster cooling, while taking up less space in your glass
- Produces up to 39 pounds of clear ice daily, the equivalent of nearly eight convenience-store bags of ice
- Streamlined componentry and single-connection water fitting for simple installation

Storage Capabilities

- Large-capacity bin stores 35 pounds of clear ice, while preserving quality and assuring fresh ice production
- Easy-to-clean, hygienic interior surface

Touchpad Controls

- Marvel Intuit™ Integrated Controls feature all-new settings for ultimate programmability
- Eco Ice™ mode moderates ice production to conservative usage, saving 25% water (91 gallons monthly) and 25% energy (\$45 annually)**
- Delay Start/Vacation option automatically postpones operation by 1/4/6/8 (hour or day) intervals, preventing wasteful water use
- Audible alerts and programmed cleaning reminders

Aesthetics

- New Illuminice™ feature projects arctic white LED light through clear ice for a dazzling illumination effect
- First-ever glass door model with white interior adds drama to entertaining at home
- Easy-to-install panel-ready option includes soft-close integrated hinge
- Finish options: stainless steel, black or overlay panel

Additional Convenience

- Close Door Assist System™ prevents energy loss by automatically drawing door to a gentle close
- Black toe kick adjustable to 4" with leveling legs
- 1-year parts and labor warranty, 5-year sealed system parts warranty (see owner's guide for details)



Ordering Options

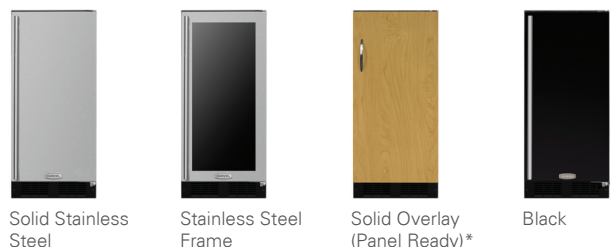
| Gravity Drain Applications | |
|---|------------|
| Solid Stainless Steel Door, Right Hinge | ML15CLS1RS |
| Solid Stainless Steel Door, Left Hinge | ML15CLS1LS |
| Stainless Frame, Glass Door, Right Hinge | ML15CLG1RS |
| Stainless Frame, Glass Door, Left Hinge | ML15CLG1LS |
| Black Door, Right Hinge | ML15CLS1RB |
| Black Door, Left Hinge | ML15CLS1LB |
| Panel-Ready Solid Overlay Door, Integrated Right Hinge* | ML15CLP2RP |
| Panel-Ready Solid Overlay Door, Integrated Left Hinge* | ML15CLP2LP |

| Factory Installed Pump | |
|---|------------|
| Solid Stainless Door, Right Hinge | ML15CPS1RS |
| Solid Stainless Door, Left Hinge | ML15CPS1LS |
| Stainless Frame, Glass Door, Right Hinge | ML15CPG1RS |
| Stainless Frame, Glass Door, Left Hinge | ML15CPG1LS |
| Black Door, Right Hinge | ML15CPS1RB |
| Black Door, Left Hinge | ML15CPS1LB |
| Panel-Ready Solid Overlay Door, Integrated Right Hinge* | ML15CPP2RP |
| Panel-Ready Solid Overlay Door, Integrated Left Hinge* | ML15CPP2LP |

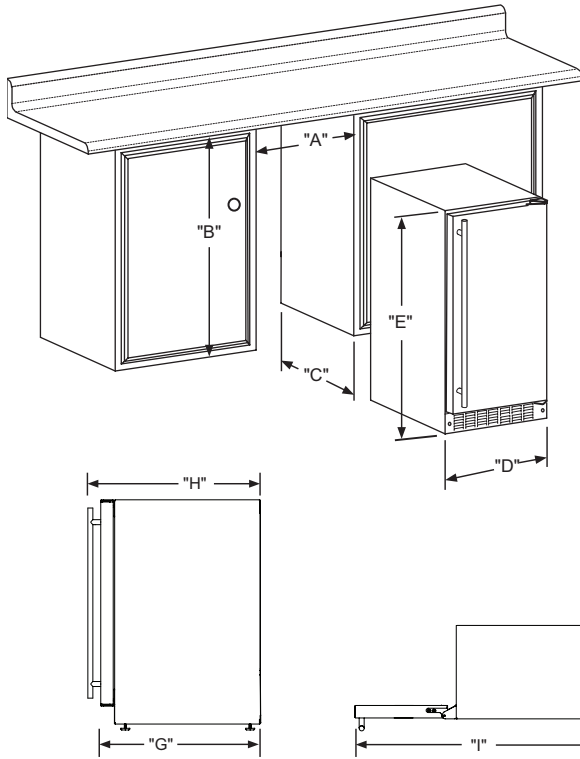
*Easy installation! No panel kit required. Consult your cabinet maker for overlay panel and handle options.



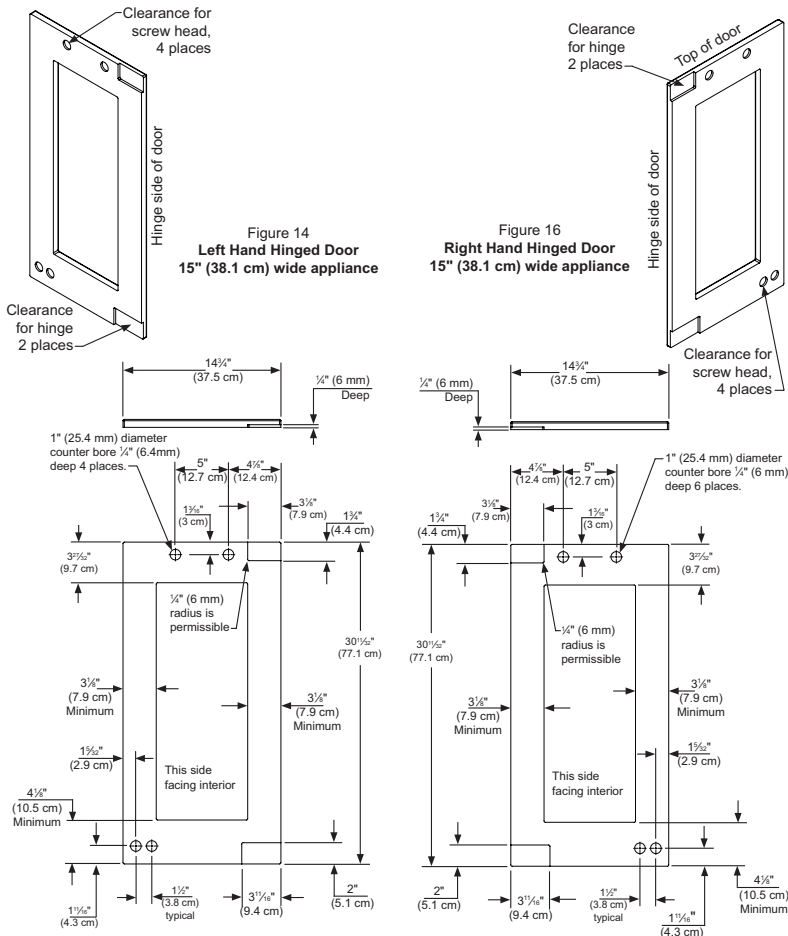
Finish Options



Product Dimensions



Panel Overlay Dimensions (Frame Door)



Rough-In Dimensions

| | |
|--------------------|------------|
| A. Rough-In Width | 15" |
| B. Rough-In Height | 34" to 35" |
| C. Rough-In Depth | 24" |

Product Dimensions

| | | |
|---------------------------|----------------------------|-----------|
| D. Width | 14 7/8" | |
| E. Height | 33 3/4" to 34 3/4" | |
| G. Depth to Front of Door | Solid Door | 23 5/8" |
| | Overlay Door | 22 15/16" |
| H. Depth to Handle | 25 9/16" (Stainless Steel) | |
| I. Depth with door at 90° | Solid Door | 37 13/32" |
| | Overlay Door | 38 5/8" |

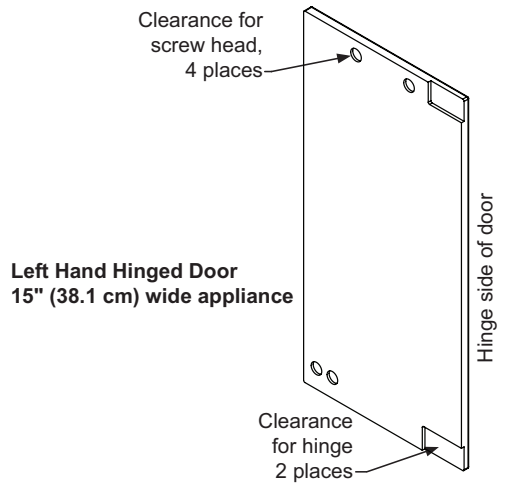
Product Features

| | |
|-------------------------|--|
| Interior Cabinet Finish | White |
| Capacity | 35 lbs of Ice Storage |
| Shelving System | NA |
| Shelf Fronts | NA |
| Other Storage | Ice Bin |
| Interior Lighting | Illuminice™ White LED |
| Toe Grill Finish | Black |
| Hinge | Classic Hinge |
| Handle | Slim Designer Handle (Panel Overlay Does Not Include Handle) |
| Control Type | Intuit™ |
| Temperature Range | NA |
| Lock | No |
| Electrical Requirements | 120V / 60Hz / 15A |
| Length of Power Cord | 6' |
| Shipping Weight | 127 lbs |
| Finishes | Stainless Steel, Overlay, Black |
| Vacation Mode | Yes |
| Agency Approvals | CSA |

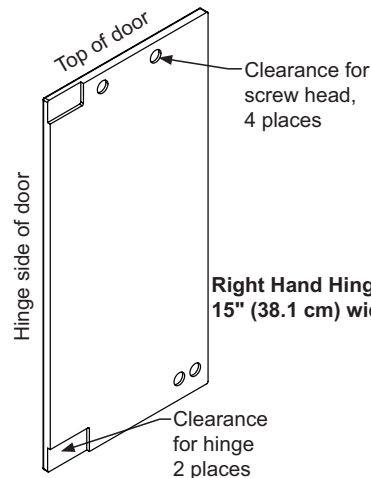
For comprehensive installation instructions, please visit www.marvelrefrigeration.com to access the owner's guide.

Panel Overlay Dimensions (Solid Door)

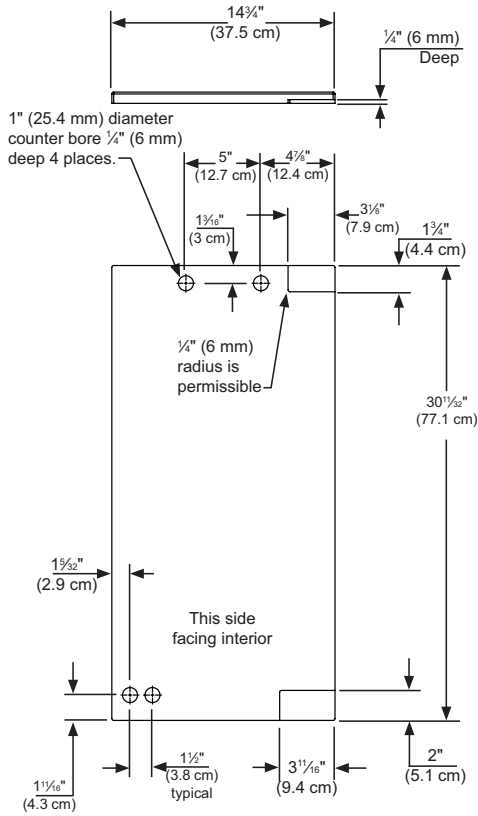
For comprehensive installation instructions, please visit www.marvelrefrigeration.com to access the owner's guide.



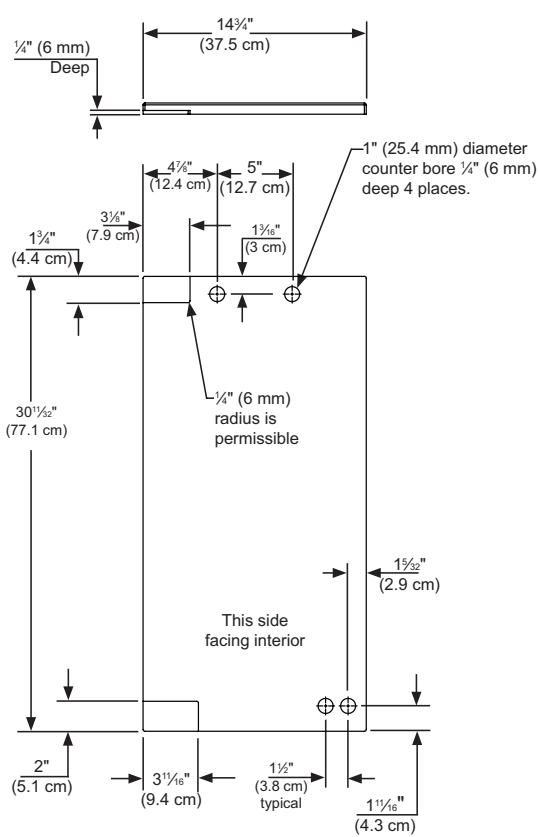
Left Hand Hinged Door
15" (38.1 cm) wide appliance



Right Hand Hinged Door
15" (38.1 cm) wide appliance



Left Hand Hinged Door
15" (38.1 cm) wide appliance



Right Hand Hinged Door
15" (38.1 cm) wide appliance