



# 15" Marvel Glass Door Clear Ice Machine with Arctic Illuminice™ Lighting

Models# ML15CLG & ML15CPG

## Performance

- The quietest ice machine you can buy
- New energy-saving options conserve water and electricity
- Engineered to consistently produce pure, clear ice with unrivaled clarity, immediate cooling and slower melt
- Produces up to 39 pounds of clear ice daily, the equivalent of nearly eight convenience-store ice bags
- Close Door Assist System™ prevents energy loss by automatically drawing door to a gentle close
- Streamlined componentry and single-connection water fitting for simple installation

## Storage Capabilities

- Stores 35 pounds of clear ice in thermal-insulated ice bin
- Ice scoop included
- Easy-to-clean, hygienic interior surface

## Touchscreen Controls

- Multifunction Marvel Intuit™ Integrated Controls adapt ice production to usage needs
- Eco Ice™ and Vacation/Delay Start modes save up to 25% water and electricity
- Audible alerts and programmed cleaning reminders

## Aesthetics

- Glass door showcases new Illuminice™ feature that projects arctic white LED lighting through clear ice for a dazzling illumination effect
- Designer handle and adjustable black toe kick
- Height adjustable up to 1" with leveling legs
- Finish options: stainless steel

## Warranty

- 1-year parts and labor warranty, 5-year sealed system parts warranty

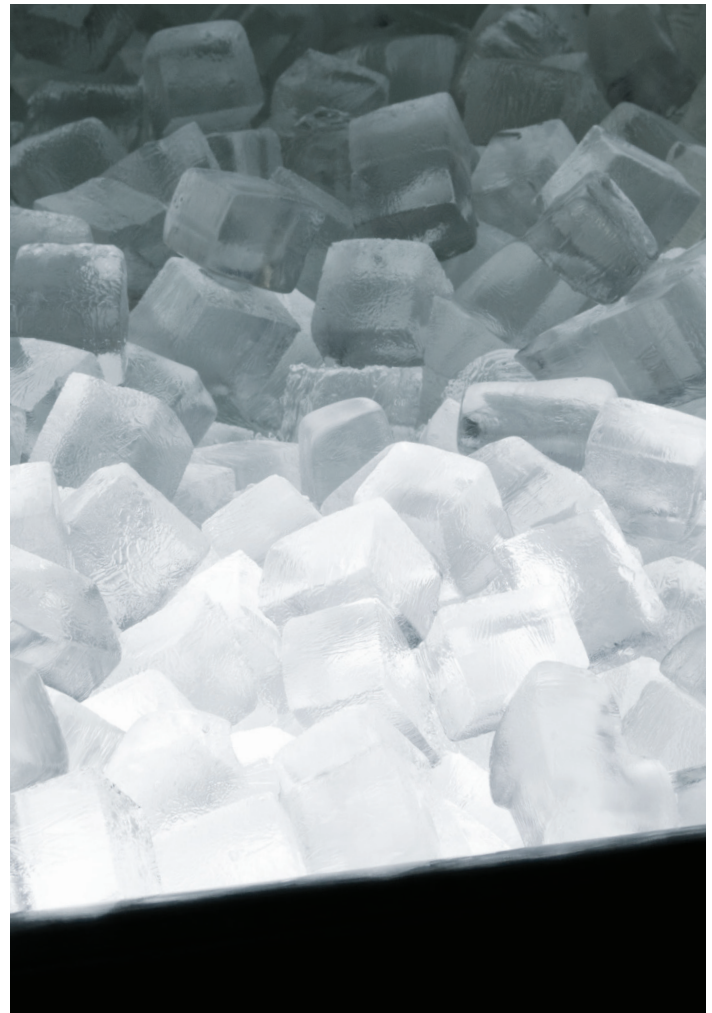
## Ordering Options

|  | Gravity Drain | Factory Installed Pump |
|--|---------------|------------------------|
| Stainless Steel Framed Glass Door, Right Hinge | ML15CLG1RS    | ML15CPG1RS             |
| Stainless Steel Framed Glass Door, Left Hinge  | ML15CLG1LS    | ML15CPG1LS             |
| Clear Ice Machine Cleaner, 4-oz. bottle        | S41013789     |                        |

## 24-Hour Ice Production

|                |           |           |
|----------------|-----------|-----------|
| Air Temp       | 72°F      | 90°F      |
| Water Temp     | 55°F      | 72°F      |
| Ice Production | 39.83 lbs | 33.44 lbs |

Air and water temperature can impact the ice production rate of your clear ice machine.



## Finish Options



Stainless Steel Framed Glass

## Proper Ice Machine Care

Each model is programmed with manufacturer-recommended cleaning reminders. To ensure maximum performance and ice quality, clean your ice machine once every 6 months or more depending on use and water quality.

For Marvel-approved cleaning accessories, see Ordering Options.

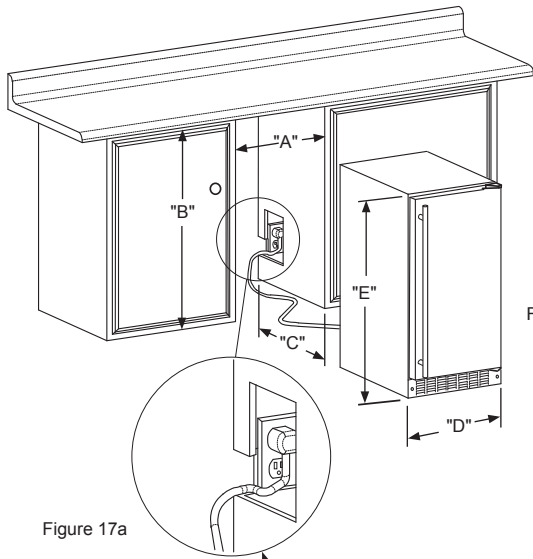


Figure 17a



Figure 18

If necessary to gain clearance inside the rough-in opening a hole can be cut through the adjacent cabinet and the power cord routed through this hole to a power outlet. Another way to increase the available opening depth is to recess the power outlet into the rear wall to gain the thickness of the power cord plug. Not all recessed outlet boxes will work for this application as they are too narrow, but a recessed outlet box equivalent to Arlington #DVFR1W is recommended for this application, (see Figure 18).

Figure 17

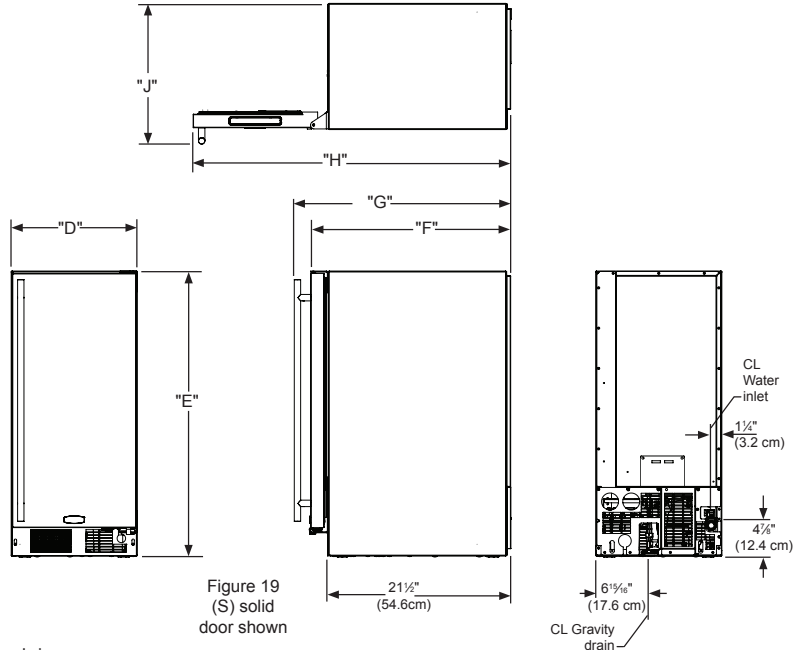


Figure 19 (S) solid door shown

| MODEL    | ROUGH-IN OPENING DIMENSIONS |                                   |                | CABINET DIMENSIONS   |   |                    |                       |                      |                        |
|----------|-----------------------------|-----------------------------------|----------------|----------------------|---|--------------------|-----------------------|----------------------|------------------------|
|          | "A"                         | "B"                               | "C"            | "D"                  | "E"                                     | "F"                | "G"                   | "H"                  | "J"                    |
| ML15CLG* | 15"<br>(38.1 cm)            | **34" to 35"<br>(86.4 to 88.9 cm) | 24"<br>(61 cm) | 14 7/8"<br>(37.8 cm) | 33 3/4" to 34 3/4"<br>(85.7 to 88.3 cm) | 23 5/8"<br>(60 cm) | 25 9/16"<br>(64.9 cm) | 37 13/32"<br>(95 cm) | 16 11/16"<br>(42.4 cm) |

| DOOR STYLE     |
|----------------|
| (G) Glass Door |

|                   |                                     |                         |                   |
|-------------------|-------------------------------------|-------------------------|-------------------|
| Width             | 14 7/8"                             | Control Type            | Intuit™           |
| Interior Finish   | White                               | Lock                    | No                |
| Capacity          | 35 lbs                              | Electrical Requirements | 120V / 60Hz / 15A |
| Other Storage     | Ice Bin                             | Length of Power Cord    | 5'                |
| Interior Lighting | (1) Arctic White Waterproof LED Pod | Shipping Weight         | 160 lbs           |
| Toe Grill Finish  | Black                               | Appliance Weight        | 90 to 100 lbs     |
| Hinge             | Classic Hinge                       | Finishes                | SS                |
| Handle            | Designer                            | Agency Approvals        | CSA               |

Finishes Key  
SS = Stainless Steel