

Installation
Operation
and
Maintenance
Instructions

24" Refrigerated Drawer Model

6CRDE



CONTENTS

Unpacking your refrigerated drawer unit.....	3
Remove interior packaging.....	3
Warranty registration	3
Installing your refrigerated drawer unit.....	4
Selecting the location.....	4
Clearances	4
Leveling legs	4
Front Grille	4
Electrical Requirements.....	5
Installing the anti tip device.....	5
Dimensions Indoor Model 6CRDE.....	7
Recommended Rough in Opening Dimensions for Indoor Model 6CRDE.....	7
Using Your Refrigerator Drawers.....	8
Start Your Appliance.....	8
Set Your Temperature Mode.....	8
Set the Desired Temperature.....	8
Load Your Appliance.....	8
Interior Light	8
Defrost Cycle	8
Warning Alarms	8
Energy Saving Tips	9
Care and Cleaning.....	9
Drawer handle installation	9
Troubleshooting Guide.....	10
Obtaining Service	10
Commercial Product Warranty.....	11

Important Safety Instructions

Warnings and safety instructions appearing in this guide are not meant to cover all possible conditions and situations that may occur. Common sense, caution, and care must be exercised when installing, maintaining, or operating this appliance.

Recognize Safety Symbols, Words, and Labels.

WARNING

WARNING-Hazards or unsafe practices with high probability of personal injury or property / product damage.

CAUTION

CAUTION-Hazards or unsafe practices which could result in personal injury or property or product damage.

NOTE

NOTE-Important information to help assure a problem free installation and operation.



AGA MARVEL is committed to building a quality product in an environmentally friendly manner. Our processes are tightly controlled and closely monitored. We have achieved certifications in ISO 9001 for quality assurance, ISO 14001 for environmental management, and OHSAS 18001 for occupational health and safety from Lloyd's Register Quality Assurance.

UNPACKING YOUR REFRIGERATED DRAWERS

Remove Interior Packaging

Your refrigerated drawers have been packed for shipment with all parts that could be damaged by movement securely fastened. Remove internal packing materials and any tape holding internal components in place. The owners manual is shipped inside the product in a plastic bag along with the warranty registration card, and other accessory items.

Important

Keep your carton and packaging until your refrigerated drawers have been thoroughly inspected and found to be in good condition. If there is damage, the packaging will be needed as proof of damage in transit. Afterwards please dispose of all items responsibly in particular the plastic bags which can be a suffocation hazard.

Note to Customer

This merchandise was carefully packed and thoroughly inspected before leaving our plant. Responsibility for its safe delivery was assumed by the retailer upon acceptance of the shipment. Claims for loss or damage sustained in transit must be made to the retailer.

DO NOT RETURN DAMAGED MERCHANDISE TO THE MANUFACTURER - FILE THE CLAIM WITH THE RETAILER.

CAUTION

If the unit was shipped or has been laying on its back for any period of time allow the refrigerator to sit upright for a period of at least 24 hours before plugging in. This will assure oil returns to the compressor. Plugging the refrigerator in immediately may cause damage to internal parts.

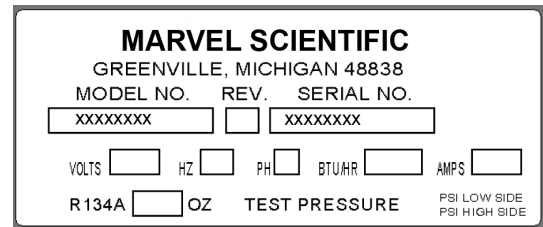
Warranty Registration

It is important you send in your warranty registration card immediately after taking delivery of your refrigerated drawers.

The following information will be required when registering your unit.

Model Number
Serial Number
Date of Purchase
Dealers name and address

The model number and serial number can be found on the serial plate which is located on the bottom of the cabinet liner in the left front corner. Open the bottom drawer to full extension to view it. See Figure 1.



MARVEL SCIENTIFIC									
GREENVILLE, MICHIGAN 48838									
MODEL NO.		REV.		SERIAL NO.					
XXXXXXXX				XXXXXXXX					
VOLTS		HZ		PH		BTU/HR		AMPS	
R 134A		OZ		TEST PRESSURE			PSI LOW SIDE		PSI HIGH SIDE

Figure 1

CAUTION

Help Prevent Tragedies

Child entrapment and suffocation are not problems of the past. Junked or abandoned refrigerators are still dangerous - even if they sit out for "just a few days".

If you are getting rid of your old refrigerator, please follow the instructions below to help prevent accidents.

Before you throw away your old refrigerator or freezer:

- Take off the doors or remove the drawers.
- Leave the shelves in place so children may not easily climb inside.

INSTALLING YOUR REFRIGERATED DRAWERS

Select Location

The proper location will ensure peak performance of your appliance. We recommend a location where the unit will be out of direct sunlight and away from heat sources. To assure your product performs to specifications the recommended installation location temperature range is from 55 to 100°F (13 to 38°C).

Cabinet Clearance

Ventilation is required from the bottom front section of the unit. Keep this area open and clear of any obstructions. Adjacent cabinets and counter top can be installed around the unit as long as the grille and drawer access remain unobstructed.

Leveling Legs

Adjustable legs at the front and rear corners of the unit should be set so the unit is firmly positioned on the floor and level from side to side and front to back. The overall height of your Marvel refrigerator may be adjusted from 33¾" (85.7cm) with the leveling legs retracted, and up to 34¾" (88.3cm) with the leveling legs extended. (See Figure 2).

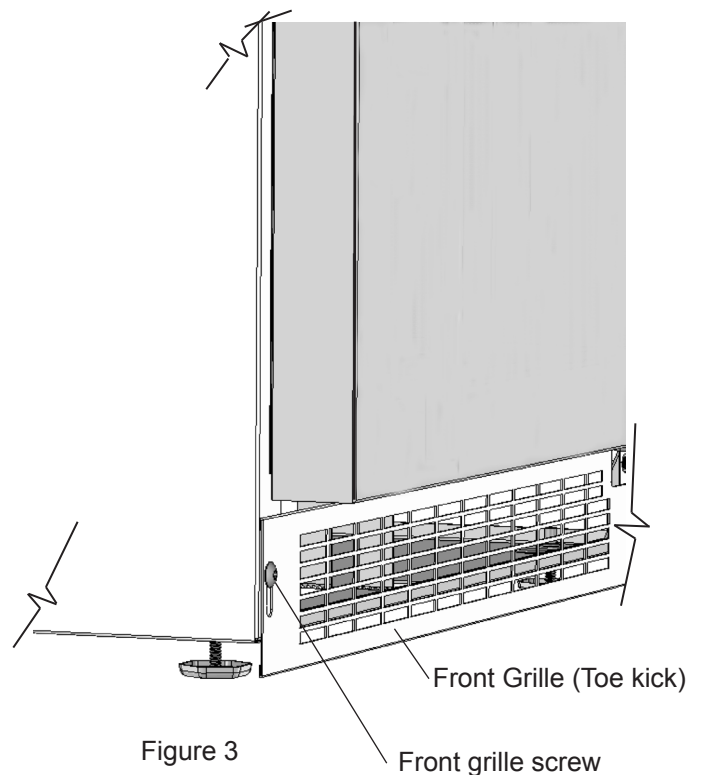
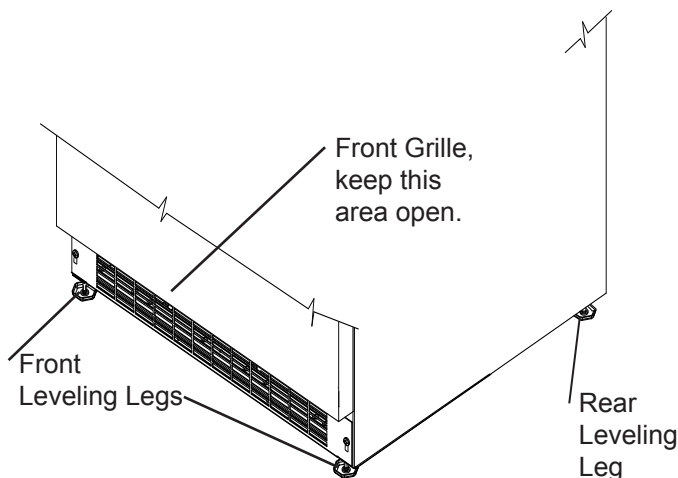
To adjust the leveling legs, place the refrigerator on a solid surface and protect the floor beneath the legs to avoid scratching the floor. With the assistance of another person, lean the refrigerator back to access the front leveling legs. Raise or lower the legs to the required dimension by turning the legs. Repeat this process for the rear by tilting the refrigerator forward using caution to prevent the door from opening. On a level surface check the refrigerator for levelness and adjust accordingly.

The front grille screws may be loosened and the front grille adjusted to the desired height. When adjustment is complete tighten the two front grille screws. (See Figure 3).

⚠ CAUTION

Front Grille

Do not obstruct the front grill. The openings within the front grill allow air to flow through the condenser heat exchanger. Restrictions to this air flow will result in increased energy usage and loss of cooling capacity. For this reason it is important this area to not be obstructed and the grill openings kept clean. AGA MARVEL does not recommend the use of custom made grills as air flow may be restricted because of inadequate openings. (See Figure 2).



INSTALLING THE ANTI-TIP DEVICE

CAUTION

- Do not splash or spray water from a hose on the refrigerator! Doing so may cause an electrical shock, which may result in severe injury or death.
- This unit should not, under any circumstances, be installed to an un-grounded electrical supply.

Electrical Connection

A grounded 115 volt, 15 amp dedicated circuit is required.

This product is factory equipped with a power supply cord that has a three-pronged, grounded plug. It must be plugged into a mating grounding type receptacle in accordance with the National Electrical Code and applicable local codes and ordinances (see Figure 4). If the circuit does not have a grounding type receptacle, it is the responsibility and obligation of the customer to provide the proper power supply. The third ground prong should not, under any circumstances, be cut or removed.

CAUTION

Electrical Extension cords should not be used. They can be hazardous and cause deficient operation. The wall receptacle should be located near the product and be a polarized type with adequate ground protection. The product must be installed to your local building codes and ordinances.

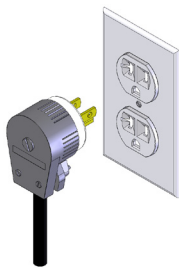


Figure 4



Figure 5

Anti-Tip Device

CAUTION

If your drawer refrigerator is not located under a counter top (free standing), you must use an anti-tip device installed as per these instructions. If the drawer refrigerator is removed from its location for any reason, make sure that the device is properly engaged when you push the drawer refrigerator back into the original location. If the device is not properly engaged, there is a risk of the drawer refrigerator tipping over, causing property or personal injury if you or a child stand, sit, or lean on an open drawer.

NOTE

If installing on concrete floor, concrete fasteners are required, (not included with the anti-tip kit).

CAUTION

Any finished flooring should be protected with appropriate material to avoid damage when moving the unit.

Floor Mount Installation

The anti-tip bracket is to be located on the floor in the left or right rear corner of the refrigerator drawer as shown in Figure 6.

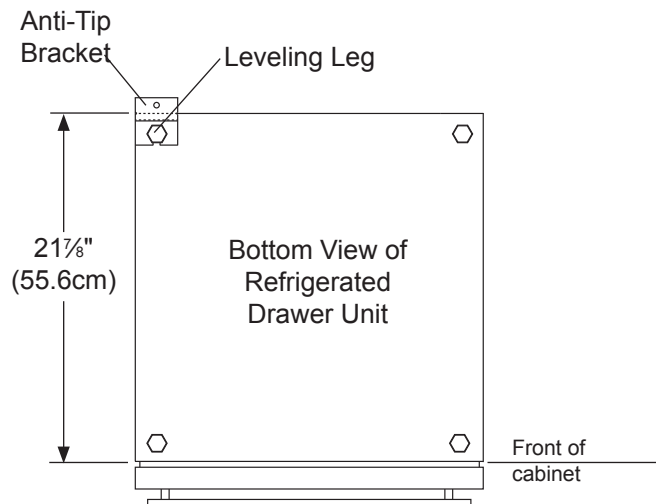


Figure 6

INSTALLING THE ANTI-TIP DEVICE

Step by step instructions for locating the position of the bracket:

1) Decide where you want to place the drawer refrigerator. Slide it into place, being careful not to damage the floor, leaving 1" (2.5cm) of clearance from the rear wall to allow room for the anti-tip bracket.

2) Raise the rear leveling legs approximately $\frac{1}{4}$ " (6.4mm) to allow engagement with the anti-tip bracket. Level the unit by adjusting all the leveling legs as required. Turning the leveling leg counterclockwise will raise the unit and clockwise will lower the unit.

3) Make sure the refrigerator is in the desired location, then mark on the floor the rear and side corner of the cabinet where the anti-tip bracket will be installed. If the installation does not allow marking the rear corner of the cabinet, then make temporary lines on the floor marking the front corner of the cabinet, excluding the door. Slide the refrigerator out of the way. From the temporary line extend the sidewall line back $21\frac{7}{8}$ " (55.6cm) as shown in Figure 7.

4) Align the anti-tip bracket to the marks on the floor so the side of the bracket lines up with the side of the cabinet mark, and the "V" notches on the anti-tip bracket line up with the end of the $21\frac{7}{8}$ " (55.6cm) line (Rear of cabinet line).

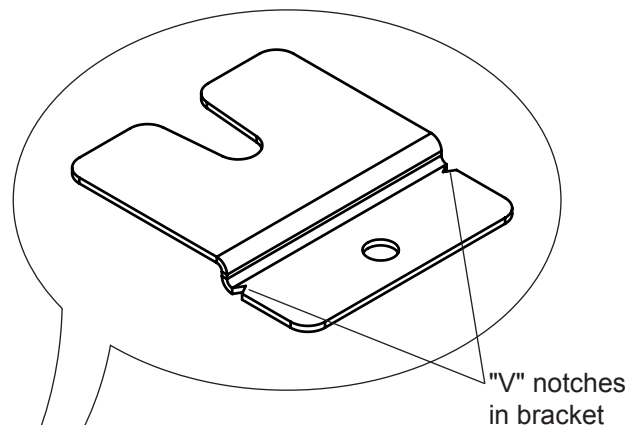
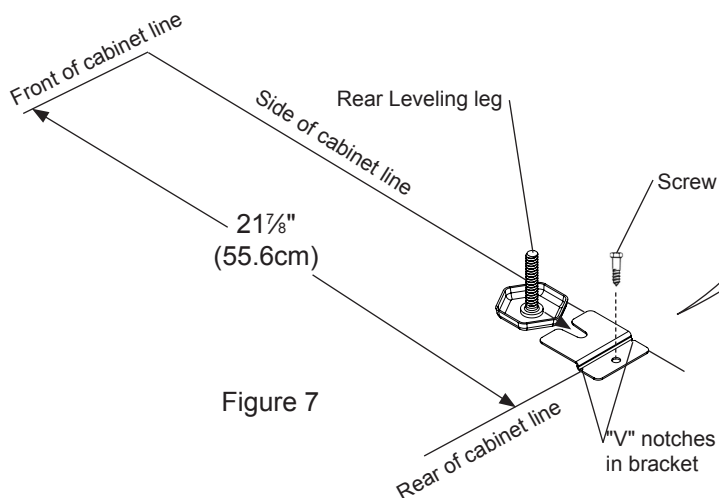
5) Fasten the anti-tip bracket to the floor using the supplied screw. (See Figure 7).

6) Slide the cabinet back into position, making sure the rear cabinet leveling leg slides under the anti-tip bracket engaging the slot.

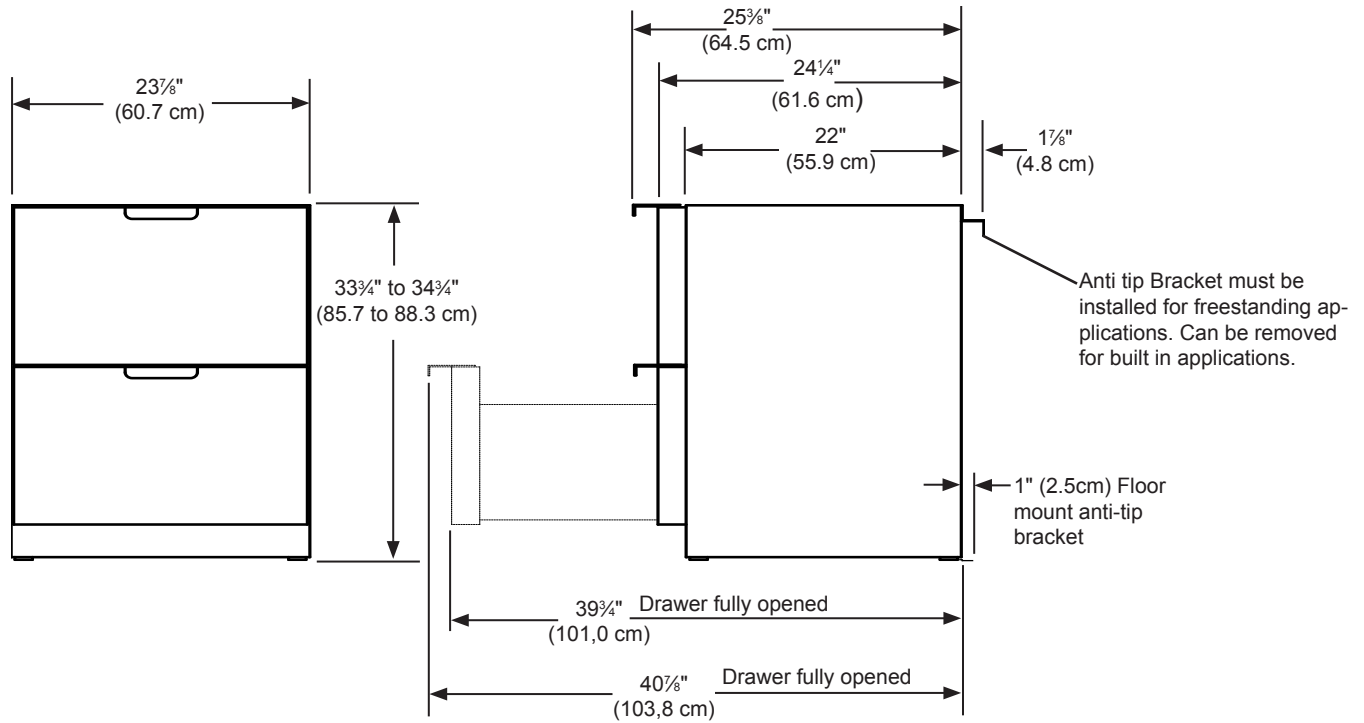
WARNING

One of the rear cabinet leveling legs must be engaged under an anti-tip bracket.

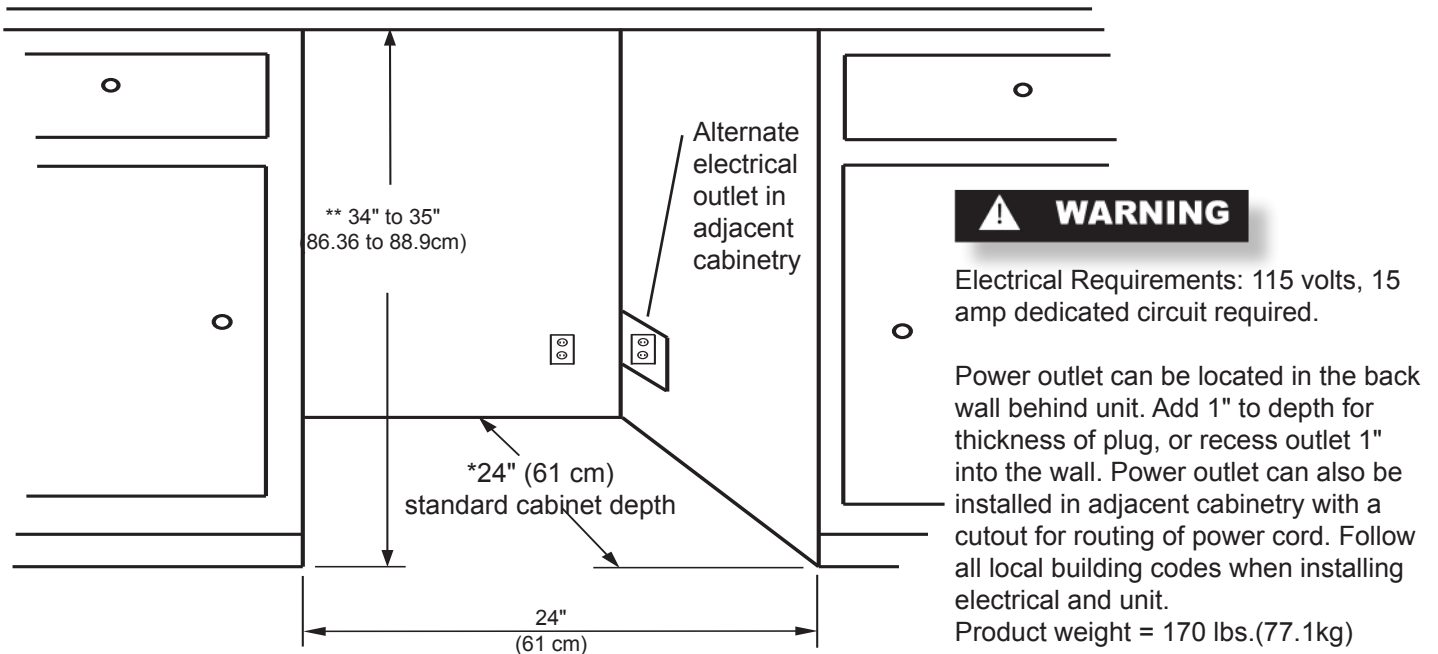
If floor mounting of the bracket is not possible call AGA Marvel service at (800-223-3900) for optional wall mount bracket part number 42245874. The wall mount bracket requires $1\frac{7}{8}$ " (4.8cm) behind the rear of the cabinet for mounting.



DIMENSIONS INDOOR MODEL 6CRDE



RECOMMENDED ROUGH IN OPENING DIMENSIONS, INDOOR MODEL 6CRDE



*Depth dimension may vary depending on each individual installation.

** Minimum rough in opening required is to be larger than the adjusted height of the cabinet.

USING YOUR REFRIGERATOR DRAWERS

Figure 8



Start Your Appliance

Your refrigerated drawers have been fitted with a **Sentry System™** refrigeration monitor. It is located at the top front of the cabinet and can be accessed by opening the top drawer. Your appliance will start upon initial plug-in. On start the Sentry System™ monitor will flash amber. This is normal. Press the "ON/OFF" button and the appliance resets and the LED turns green. (Refer to Figure 8 above). To turn the unit ON/OFF, press and hold the "ON/OFF" key for a minimum of 5 seconds.

Set Your Temperature Mode

This product can display either Fahrenheit or Celsius. To do so, press the "°F/°C" button on the display panel to change from one to the other.

Set the desired temperature

The available temperature range of the unit is from 34° to 42°F (1° to 6° C). This range allows flexibility of temperature preferences and provides the ideal storing and serving temperatures. The temperature is initially set in the factory at 37° F (3° C). The temperature set point can be lowered or raised by first pushing the "SET" button on the display pad. A "SET" icon will be displayed in the temperature display. Pressing and releasing either the "WARMER" or "COLDER" buttons located on the display pad will raise or lower the set temperature by one (1) degree at a time. As with any refrigeration product, there will be slight temperature variance at different locations within the cabinet.

Load Your Appliance

Load your appliance with your desired items. Please note that it may take up to 24 hours for your refrigerator to reach the desired temperature once loaded. This will primarily depend on the amount of contents loaded into the refrigerator and the amount of opening and closings of the drawers. Consider this when initially loading the drawers. Best results will be obtained by first allowing the drawers to "pull down" to your set temperature before loading the drawers.

Interior Light

The upper and lower interior lights make it easy to view your food and beverages. The light will always come on when either drawer is opened.

Defrost Cycle

In order to maintain optimal performance, your refrigerator must periodically enter a defrost cycle to clear frost buildup. During the defrost cycles, the display will show DEF, and changes to setpoint and °F/°C setting may not be made.

Warning Alarms

The Sentry System™ monitor will let you know if your unit is not functioning properly for the following reasons. Door ajar, high or low temperature, and power failure. These alarms are explained below.

Drawer Ajar Alarm

If the drawer has been left open for over five (5) minutes, the alarm will sound and the LED will flash green. This will stop as soon as the drawer is closed, or can be reset by pressing the "ON/OFF" button.

High and Low Temperature

If your unit reaches temperatures outside normal operating temperatures for your set point by 10°F for more than one (1) hour, an alarm will sound and the LED will flash red. This will warn you that your contents have seen temperatures that may not be conducive for long-term storage. This alarm can be reset by pressing the "ON/OFF" button.

Power Failure

If your unit experiences a power failure, the LED will flash amber until the alarm is reset by pressing the "ON/OFF" button.

Reset Alarms

Press the "ON/OFF" button for approximately one (1) second. This will reset all audible and display alarms when the button is released.

Enable/Disable Sentry System™ Alarms

Press and hold the "SET" key for five (5) seconds to enable or disable the Sentry System™ alarms. LED will display a steady green when enabled or a steady amber when disabled.

ENERGY SAVING TIPS, CARE AND CLEANING, AND DRAWER HANDLE INSTALLATION

Energy Saving Tips

The following suggestions will minimize the cost of operating your refrigeration appliance.

1. Do not install your appliance next to a hot appliance, (ovens, glassware washers, etc.), heating air duct, or other heat sources.
2. Install product out of direct sunlight.
3. Assure the toe grille vents at front of unit beneath door is not obstructed and kept clean to allow ventilation for the refrigeration system to expel heat.
4. Plug your appliance into a dedicated power circuit. (Not shared with other appliances).
5. When initially loading your new product, or whenever large quantities of warm contents are placed within refrigerated storage compartment, minimize door openings for the next 12 hours to allow contents to pull down to compartment set-point temperature.
6. Maintaining a relatively full storage compartment will require less appliance run time than an empty compartment.
7. Assure door closing is not obstructed by contents stored in your appliance.
8. Allow hot items to reach room temperature before placing in product.
9. Minimize door openings and duration of door openings.
10. Use the warmest temperature control set-point that provides the proper storage for your stored contents.
11. Set the control to the "off" position if cleaning the unit requires the door to be open for an extended period of time.
12. Periodically clean the front grille (toe kick) see page 4.

Care and Cleaning Cabinet

The painted cabinet can be washed with either a mild soap and water and thoroughly rinsed with clear water. NEVER use abrasive scouring cleaners.

Interior

Wash interior compartment with mild soap and water. Do NOT use an abrasive cleaner, solvent, polish cleaner or undiluted detergent.

Care of Unit

1. Avoid leaning on the drawer fronts, you may bend the drawer slides or tip the unit.
2. Exercise caution when sweeping, vacuuming or mopping near the front of the unit. Damage to the grille can occur.
3. Periodically clean the interior of the unit as needed.
4. Periodically check and/or clean the front grille as needed.

Handle Installation (certain models)

1. Remove the handles, (4) screws, and $\frac{5}{32}$ " allen wrench from the bag shipped inside the cabinet.
2. Locate handle centered on top of drawer and secure in place using the (2) screws with the allen wrench. (See Figure 9).
3. Repeat for other drawer.

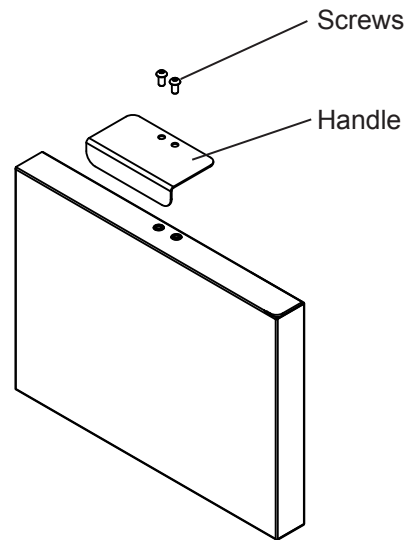


Figure 9

TROUBLESHOOTING YOUR REFRIGERATED DRAWERS

Before You Call for Service

If the unit appears to be malfunctioning, read through this manual first. If the problem persists, check the troubleshooting guide below. Locate the problem in the guide and refer to the cause and its remedy before calling for service. The problem may be something very simple that can be solved without a service call. Some remedies listed in the Troubleshooting Guide are very complex. Consulting or contracting a qualified service technician may be necessary

If Service is Required:

- If the product is within the first year warranty period please call AGA MARVEL Customer Service at 800.223.3900 for directions on how to obtain warranty coverage in your area.
- If the product is outside the first year warranty period, AGA MARVEL Customer Service can provide recommendations of service centers in your area. A listing of authorized service centers is also available at www.agamarvel.com under the service and support section.

- In all correspondence regarding service, be sure to give the model number, serial number, and proof of purchase.
- Try to have information or description of nature of the problem, how long the unit has been running, the room temperature, and any additional information that may be helpful in quickly solving the problem.
- Fill in pertinent information below regarding your product for future reference.

For Your Records	
Date of Purchase	
Dealer's name	
Dealer's Address	
Dealer's City	
Dealer's State	
Dealer's Zip Code	
Appliance Serial Number	
Appliance Model Number	
Date Warranty Card Sent (Must be within 10 days of purchase).	

Table A



Electrocution Hazard - Never attempt to repair or perform maintenance on the unit until the main electrical power has been disconnected.

Problem	Possible Cause	Remedy
Unit not cold enough Adjust temperatures (See "Set the Desired Temperature" on page 8)	<ul style="list-style-type: none"> • Control set too warm • Airflow to front grille blocked. • Excessive usage or prolonged drawer openings. • Drawer gasket not sealing properly. 	<ul style="list-style-type: none"> • Adjust temperature colder. Allow 24 hours for temperature to stabilize. • Airflow must not be obstructed to front grille. See "clearance" on page 4. • Allow temperature to stabilize for at least 24 hours. • Adjust or replace drawer gasket.
Unit too cold Adjust temperatures (See "Set the Desired Temperature" on page 8)	<ul style="list-style-type: none"> • Control set too cold 	<ul style="list-style-type: none"> • Adjust temperature warmer. (See page 8, "set the desired temperature"). Allow 24 hours for temperature to stabilize.
No interior light in drawer compartments.	<ul style="list-style-type: none"> • Failed LED interior light assembly 	<ul style="list-style-type: none"> • Contact a qualified AGA MARVEL service technician.
Light will not go out when drawer is closed	<ul style="list-style-type: none"> • Drawer not activating light switch. 	<ul style="list-style-type: none"> • Unit not level, level unit, (See page 4 "leveling legs").
Noise or Vibration	<ul style="list-style-type: none"> • Unit not level 	<ul style="list-style-type: none"> • Level unit, see "Leveling Legs" on page 4.
Unit will not run.	<ul style="list-style-type: none"> • Unit turned off • Power cord not plugged in. • No power at outlet. 	<ul style="list-style-type: none"> • Turn unit on. See "Start your Appliance" on page 8. • Plug in power cord. • Check house circuit.

COMMERCIAL REFRIGERATION PRODUCTS WARRANTY

Entire Product - One Year Parts and Labor Warranty

AGA MARVEL warrants to the original purchaser that it will supply all necessary parts and labor to repair or replace in the end user's establishment, any component which is found by an authorized representative of AGA MARVEL to be defective in materials or workmanship, subject to the conditions and exclusions stated below, for a period of one year from the date of purchase by the end user.

Refrigeration System - Additional Second Through Fifth Year Parts Only Warranty

During the four years following expiration of the one year limited warranty, AGA MARVEL warrants to the original purchaser that it will supply replacement parts for the hermetically sealed refrigeration system which consists of the compressor, evaporator, condenser, drier, and connecting tubing that are found to be defective in workmanship or materials. Other parts, labor costs, and freight charges are the responsibility of the end user.

If AGA MARVEL is unable to repair or replace the defective product or component, AGA MARVEL shall issue a credit to the buyer for all or part of the purchase price, as AGA MARVEL shall determine. The repair, replacement or payment in the manner described above shall be the sole and exclusive remedy of buyer for a breach of this warranty.

Buyer must give written notice of any alleged defect in the product to AGA MARVEL within 30 days after discovery of the defect by buyer. If notice is not given within such period, any claim for breach of warranty shall be conclusively deemed to have been waived, and AGA MARVEL shall not be liable under these warranties. AGA MARVEL or its agents shall be entitled to examine the product. AGA MARVEL shall have the option of requiring the return of the defective component, transportation prepaid, to establish the claim. The acceptance by AGA MARVEL of any component returned shall not be deemed an admission that the product is defective or in breach of any warranty and, if AGA MARVEL determines that the product is not defective, the component shall be re-shipped to the buyer at the buyer's expense. No component will be returned to AGA MARVEL without its prior consent.

The above warranties do not cover:

- Shipping costs of replacement parts or returned defective parts.
- Customer education or instructions on how to use the refrigerator/freezer.
- Any content loss, or incidental or consequential damage or loss due to product failure.
- Removal or installation of product.

Nor do the above warranties cover failure of this product or its components due to:

- Transportation, damage sustained in transit or subsequent damages.
- Use in hostile environments or use for storage of contents hostile to the product.
- Improper installation, misuse, abuse, accident or alteration, use on wiring not conforming to electrical codes, low voltages, failure to provide necessary maintenance, or other unreasonable use.
- Parts or service not supplied or designated by AGA MARVEL.

The above warranties also do not apply if:

- The original bill of sale, deliver date, or serial number cannot be verified.
- The refrigeration equipment is not in the possession of the original end use purchaser.

The warranties set forth herein are the only warranties extended by AGA MARVEL and are in lieu of all warranties, express, implied, statutory or otherwise. In particular, AGA MARVEL makes no warranty of merchantability or fitness for a particular purpose.

AGA MARVEL's liability for any defect in the product shall not exceed the purchase price of the product. **AGA MARVEL shall have no liability for consequential damages of any kind whatsoever, including, but not limited to, personal injury, property damage, lost profits or other economic injury due to any defect in the product.**

No person, firm, or corporation is authorized to modify, expand or extend these warranties, to waive any of the limitations or exclusions, or to make any other warranty or assume any other obligation for AGA MARVEL. These warranties apply only to products used in any of the fifty states of the United States and the District of Columbia.

To obtain performance of this warranty, report any defects to:

AGA MARVEL
1260 E. VanDeinse St.
Greenville MI 48838

Toll-Free: 800.223.3900



www.agamarvel.com

AGA MARVEL
1260 E. VanDeinse St.
Greenville MI 48838

800.223.3900

41011755-EN rev N
06/20/12

All specifications and product designs subject to change without notice. Such revisions do not entitle the buyer to corresponding changes, improvements, additions, replacements or compensation for previously purchased products.

Instructions
d'installation,
d'utilisation
et d'entretien

Armoire à tiroirs réfrigérés

6CRDE



CONTENU

Déballage de votre armoire à tiroirs réfrigérés	3
Enlèvement de l'emballage	3
Enregistrement de la garantie	3
Installation de votre armoire à tiroirs réfrigérés	4
Choix de l'emplacement	4
Écartements pour l'armoire	4
Pieds de mise à niveau	4
Raccordement électrique.....	5
Installation du dispositif anti-basculement.....	5
Dimensions de modèles d'intérieur 60RDE.....	7
Dimensions brutes d'ouverture recommandées pour modèles d'intérieur 60RD	7
Utilisation de vos tiroirs réfrigérés	8
Démarrage de votre appareil	8
Détermination de votre mode de température	8
Réglage de la température voulue	8
Chargement de votre appareil	8
Éclairage intérieur	8
Cycle de dégivrage	8
Alertes d'avertissement	8
Conseils pour les économies d'énergie	9
Entretien et nettoyage	9
Installation de poignées	9
Guide de dépannage	10
Obtention de service.....	10
Garantie d'appareil à usage domestique.....	11

Importantes instructions de sécurité

Les avertissements et les instructions de sécurité qui apparaissent dans ce guide n'ont pas la prétention de couvrir toutes les conditions et situations possibles pouvant arriver. Il faut faire preuve de bon sens, de précautions et de soins, pour installer, utiliser ou entretenir cet appareil.

Reconnaissance des symboles, des mots et des étiquettes concernant la sécurité.

AVERTISSEMENT

AVERTISSEMENT – Dangers ou pratiques dangereuses avec une forte probabilité de blessures corporelles et/ou de dommages pour le produit.

ATTENTION

ATTENTION-Risques ou pratiques dangereuses pouvant entraîner des blessures individuelles, des dégâts matériels ou des dommages au produit.

REMARQUE

REMARQUE - Information importante pour réaliser une installation et une utilisation sans problèmes.



AGA MARVEL s'engage à fabriquer un produit de qualité d'une manière ne nuisant pas à l'environnement. Nos procédés sont sévèrement contrôlés et surveillés de près. Nous avons obtenu les certifications ISO 9001 d'assurance qualité, et ISO 14001 de gestion environnementale, et OHSAS 18001 pour hygiène et sécurité du travail de Lloyd's Register Quality Assurance.

DÉBALLAGE DE VOTRE ARMOIRE À TIROIRS RÉFRIGÉRÉS

Enlèvement de l'emballage intérieur

Votre tiroirs réfrigérés a été emballée pour l'expédition avec toutes les pièces pouvant être endommagées par le mouvement solidement attachées. Enlevez les matériaux d'emballage intérieur et toute bande maintenant des composants intérieurs en place. Le manuel de l'utilisateur est envoyé à l'intérieur de l'appareil dans un sac en plastique, accompagné de la carte d'enregistrement de la garantie.

Important

Conservez votre carton et l'emballage jusqu'à ce que votre tiroirs réfrigérés ait été complètement inspectée et trouvée en bon état. S'il présentait des dommages, cet emballage serait nécessaire comme preuve qu'ils sont survenus durant le transit. Ensuite veuillez mettre toutes les parties de l'emballage au rebut de façon responsable, en particulier les sacs en plastique qui constituent un danger d'étouffement.

Note pour le client

Cette marchandise a été soigneusement et complètement inspectée avant de quitter notre usine. La responsabilité pour sa livraison sûre a été assumée par le revendeur à l'acceptation de cette expédition. Les réclamations pour perte ou dommages survenus durant le transit sont à adresser au revendeur.

NE RENVOYEZ PAS DE MARCHANDISE ENDOMMAGÉE AU FABRICANT – DÉPOSEZ UNE RÉCLAMATION AUPRÈS DU REVENDEUR.

⚠ ATTENTION

Si l'appareil a été livré étant sur le dos, ou y est resté pendant une durée quelconque, laissez l'appareil reposer debout pendant au moins 24 heures avant de la brancher électriquement. Cela assurera le retour de l'huile au compresseur. Un branchement immédiat de l'appareil pourrait endommager des parties internes.

Enregistrement de la garantie

Il est important que vous postiez votre carte de garantie immédiatement après avoir pris livraison de votre armoire à tiroirs réfrigérés.

Les informations suivantes seront nécessaires au moment de l'enregistrement de votre appareil :

Référence de modèle
Numéro de série
Date d'achat
Nom et adresse du revendeur

La référence de modèle et le numéro de série se trouvent sur la plaque signalétique qui est située en bas du revêtement de l'armoire, à l'angle avant gauche. Ouvrez le tiroir du bas en le tirant complètement pour la voir (Voir la Figure 1).

MARVEL SCIENTIFIC					
GREENVILLE, MICHIGAN 48838					
MODEL NO.		REV.	SERIAL NO.		
XXXXXXXX			XXXXXXXX		
VOLTS	<input type="text"/>	HZ	<input type="text"/>	PH	<input type="text"/>
		BTU/HR	<input type="text"/>	AMPS	<input type="text"/>
R 134A	<input type="text"/>	OZ	TEST PRESSURE	PSI LOW SIDE PSI HIGH SIDE	

Figure 1

⚠ ATTENTION

Contribuez à éviter des tragédies

L'emprisonnement d'enfants et leur asphyxie ne sont pas des problèmes du passé. Des épaves de réfrigérateurs abandonnés continuent de présenter un danger - même en restant dehors pour "juste quelques jours".

Si vous devez vous débarrasser de votre vieux appareil de refroidissement, veuillez suivre ces instructions pour aider à éviter des accidents possibles.

Avant de jeter votre vieux réfrigérateur ou congélateur :

- Démontez ses portes ou enlevez ses tiroirs.
- Laissez les étagères en place de façon à ce que des enfants ne puissent pas facilement monter dedans.

INSTALLATION DE VOTRE ARMOIRE À TIROIRS RÉFRIGÉRÉS

Choix de l'emplacement

Un bon emplacement assurera une performance de pointe pour votre appareil. Nous recommandons un endroit où l'appareil ne sera pas exposé directement au rayonnement solaire et restera écarté de sources de chauffage. Pour assurer que les performances de votre produit soient au niveau de ses spécifications, la plage de températures recommandée au lieu d'installation sera de 55 à 100° (13 à 38°C).

Écartements par rapport à l'armoire

Une ventilation est nécessaire depuis la section frontale du bas de l'appareil. Gardez cette zone libre et exempte de toutes obstructions. Des meubles et comptoirs peuvent être installés autour de l'appareil de façon adjacente dans la mesure où l'accès à sa grille et ses tiroirs restera non obstrué.

Pieds de mise à niveau

Des pieds réglables aux angles avant et arrière de l'appareil doivent être ajustés pour qu'elle soit fermement positionnée au sol et bien d'aplomb, d'un côté à l'autre et d'avant en arrière. La hauteur totale de votre appareil Marvel peut être ajustée entre 33¾" (85,7 cm) quand ses pieds de mise à niveau sont vissés, et 34¾" (88,3 cm) quand ils sont sortis. (Voir les Figure 2).

Pour régler ces pieds de mise à niveau, placez l'appareil sur une surface solide, en protégeant le sol en dessous pour ne pas le rayer. Avec l'aide d'une autre personne, inclinez vers l'arrière de l'appareil pour accéder aux pieds de mise à niveau de l'avant. Levez ou abaissez ces pieds à la hauteur requise en les tournant. Répétez le processus pour l'arrière en basculant l'appareil vers l'avant en faisant attention à ce que les tiroirs ne s'ouvrent pas. Sur une surface plane, vérifiez le niveau de l'appareil et ajustez les pieds en conséquence.

Les vis de la grille frontale (grille de plinthe) peuvent être desserrées et la grille ajustée à la hauteur voulue. Quand le réglage est fait, resserrez les vis de la grille de plinthe (Voir la Figure 3).

⚠ ATTENTION

Grille frontale

N'obstruez pas la grille frontale. Les ouvertures au travers de la grille frontale permettent l'écoulement de l'air par l'échangeur thermique du condenseur. Des restrictions de ce flux d'air vont augmenter la consommation d'énergie et affecter sa capacité de refroidissement. C'est pourquoi, il est important que cette zone ne soit pas obstruée et soit maintenue propre. AGA MARVEL recommande de ne pas utiliser de grilles personnalisées, car l'écoulement d'air en serait diminué du fait d'ouvertures insuffisantes (Voir la Figure 2).

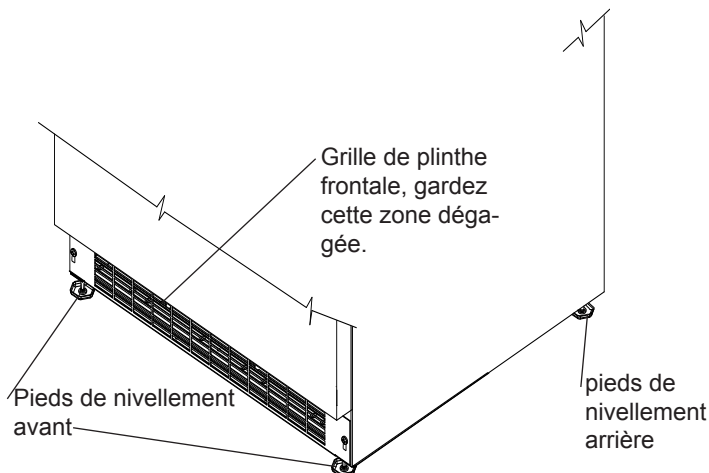


Figure 2

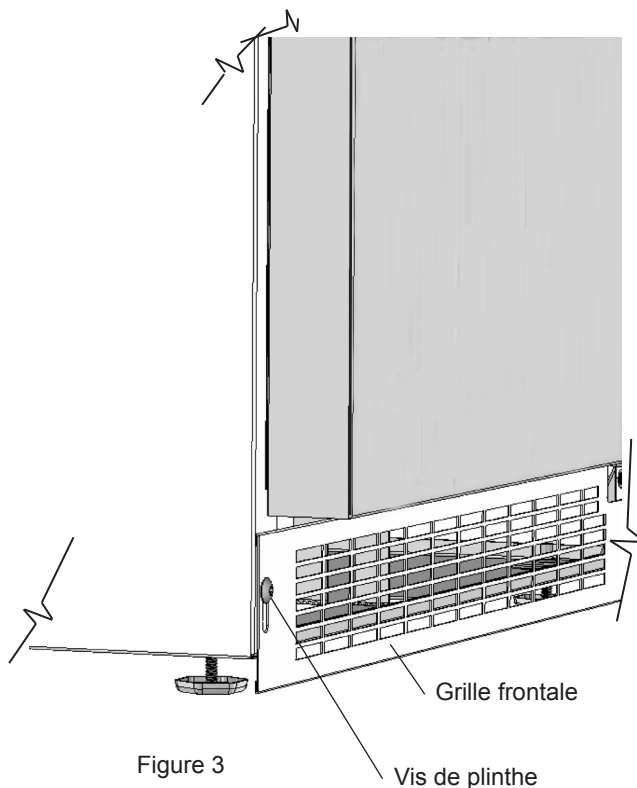


Figure 3

RACCORDEMENT ÉLECTRIQUE ET INSTALLATION DU DISPOSITIF ANTI-BASCULEMENT

⚠ ATTENTION

- N'envoyez pas d'eau par éclaboussure ou par jet d'un tuyau sur l'appareil! Cela pourrait causer une commotion électrique, entraînant potentiellement des blessures graves voire mortelles.
- Cet appareil ne doit sous aucun prétexte être installé sur une alimentation électrique sans liaison de terre.

Raccordement électrique

Un circuit secteur dédié en 115 V supportant 15 A est nécessaire.

Ce produit est équipé en usine d'un cordon secteur comportant une fiche avec terre à trois broches. Il faut la brancher dans une prise secteur correspondante avec terre, en conformité avec la norme électrique américaine et les normes et réglementations locales applicables (Voir la Figure 4). Si le circuit ne comporte pas une prise avec terre, le client doit en fournir une adéquate, c'est sa responsabilité. La troisième broche de terre ne doit en aucun cas être coupée ou enlevée.

⚠ ATTENTION

Des rallonges de cordon électrique ne doivent pas être utilisées. Elles peuvent être dangereuses et causer un mauvais fonctionnement. La prise murale doit être située près de la machine à glaçons et être de type polarisé avec une bonne terre de protection. La machine à glaçons doit être installée en conformité avec vos normes de construction et réglementations locales.

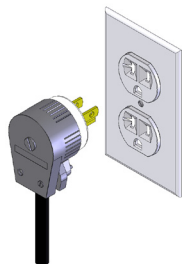


Figure 4



Figure 5

Dispositif anti-basculé

⚠ ATTENTION

Si votre réfrigérateur à tiroirs n'est pas placé sous un plan de travail (autonome), vous devez utiliser un dispositif anti-basculé placé selon les instructions qui suivent. S'il est bougé de sa position pour une quelconque raison, assurez-vous que ce dispositif est correctement engagé quand vous remettez votre réfrigérateur à tiroirs à sa place. Si le dispositif n'était pas correctement mis, il y a un risque que le réfrigérateur à tiroirs bascule, en causant des dégâts matériels, et des blessures corporelles si vous-même ou un enfant monte sur un tiroir ouvert, ou s'assoit ou s'appuie dessus.

REMARQUE

En cas d'installation sur un sol en béton, des chevilles pour béton sont nécessaires (non fournies avec le kit anti-basculé).

⚠ ATTENTION

Toute finition de sol doit être protégée avec une matière appropriée pour éviter de l'endommager en bougeant l'appareil.

Installation avec montage au sol

La ferrure anti-basculé doit être placée sur le sol à l'angle de droite ou de gauche de l'arrière du réfrigérateur à tiroirs, cille c'est montré en Figure 6.

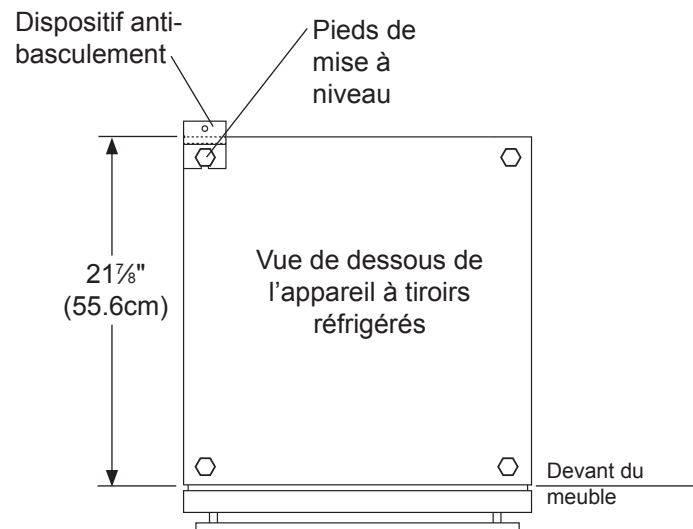


Figure 6

INSTALLATION DU DISPOSITIF ANTI-BASCULEMENT

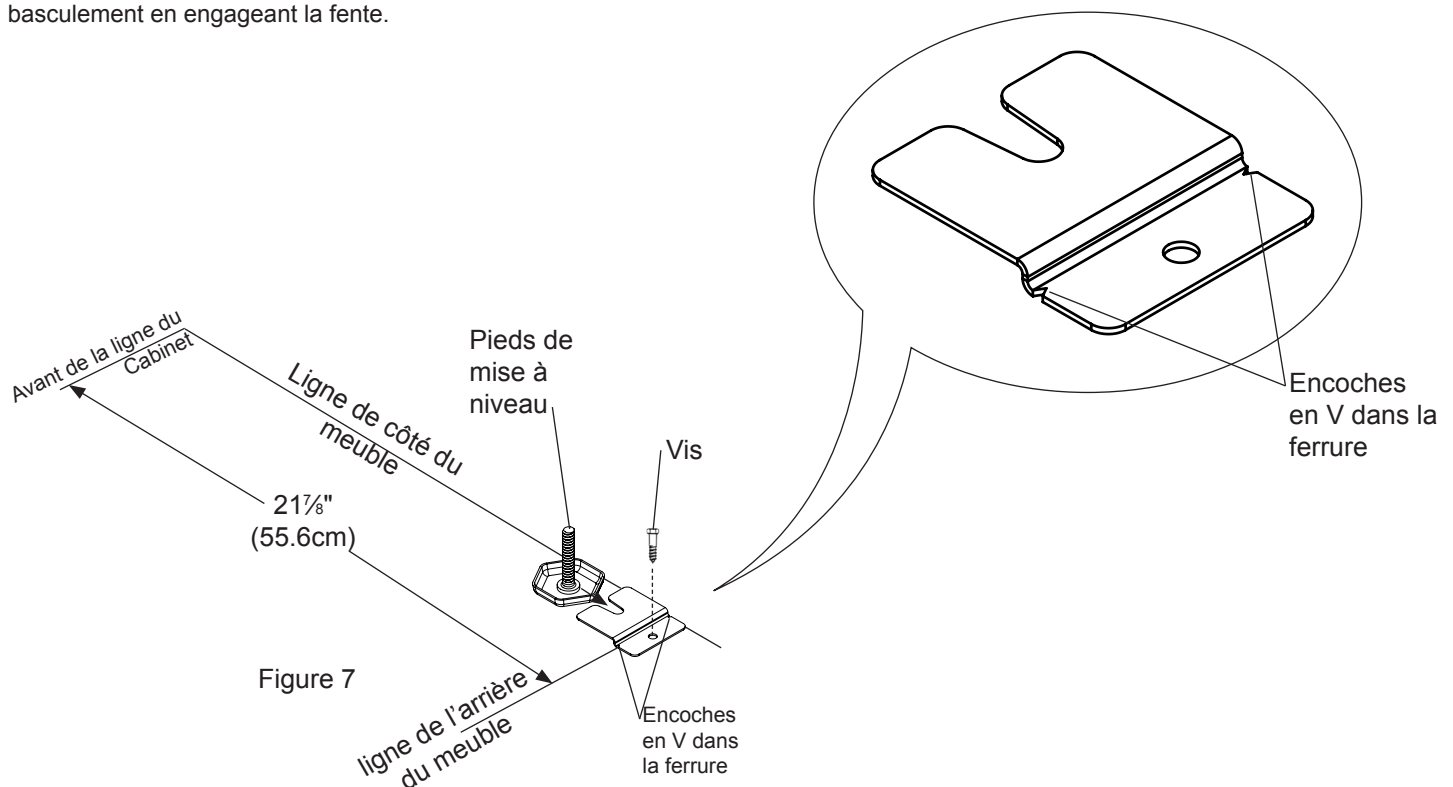
Instructions pas à pas pour définir la position de la ferrure :

- 1) Décidez de l'endroit où vous désirez placer le réfrigérateur à tiroirs. Faites-le glisser en place, ne veillant à ne pas abimer le sol, en laissant un espacement de 1" (2,5 cm) depuis le mur derrière afin de laisser de la place pour la ferrure anti-basculément.
- 2) Soulevez les pieds de mise à niveau arrière d'environ $\frac{1}{4}$ " (6,4 mm) pour permettre l'engagement dans la ferrure anti-basculément. Mettez de niveau l'appareil en ajustant les pieds de mise à niveau selon le besoin. Le fait de tourner ces pieds en sens antihoraire soulève l'appareil, et l'abaisse en les tournant en sens horaire.
- 3) Assurez-vous que le réfrigérateur est bien à la place voulue, puis marquez sa position sur le sol correspondant à l'arrière et l'angle de côté du meuble où la ferrure anti-basculément va être installée. Si l'installation ne permet pas le marquage à l'angle arrière du meuble, tracez des lignes temporaires au sol en repérant l'endroit de l'angle avant du meuble, sans tenir compte de la porte. Glissez le réfrigérateur hors de cet emplacement. Depuis la ligne temporaire prolongez la ligne de côté vers l'arrière de $21\frac{7}{8}$ " (55,6 cm) comme c'est montré en Figure 7.
- 4) Alignez la ferrure anti-basculément avec les marquages au sol de façon à ce que son bord soit aligné avec la ligne de côté du meuble, et que ses encoches en "V" soient alignées avec la fin de la ligne tracée de $21\frac{7}{8}$ " (55,6 cm) (Ligne à l'arrière de l'armoire).
- 5) Fixez la ferrure anti-basculément au sol en utilisant la vis fournie (Voir la Figure 7).
- 6) Glissez le meuble pour le remettre en place, en vous assurant que ses pieds de mise à niveau se glissent sous la ferrure anti-basculément en engageant la fente.

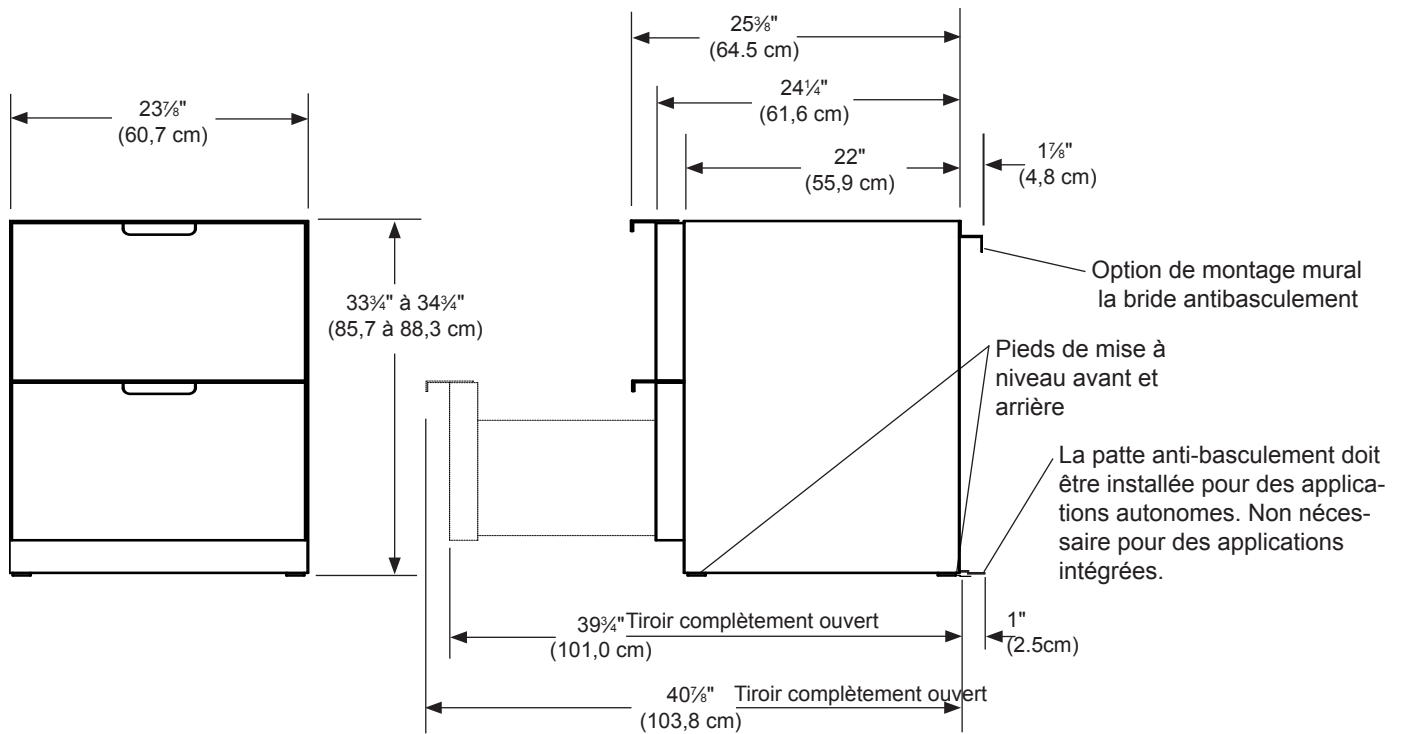
⚠ ATTENTION

Un des pieds de mise à niveau de l'arrière du meuble doit être engagé sous la ferrure anti-basculément.

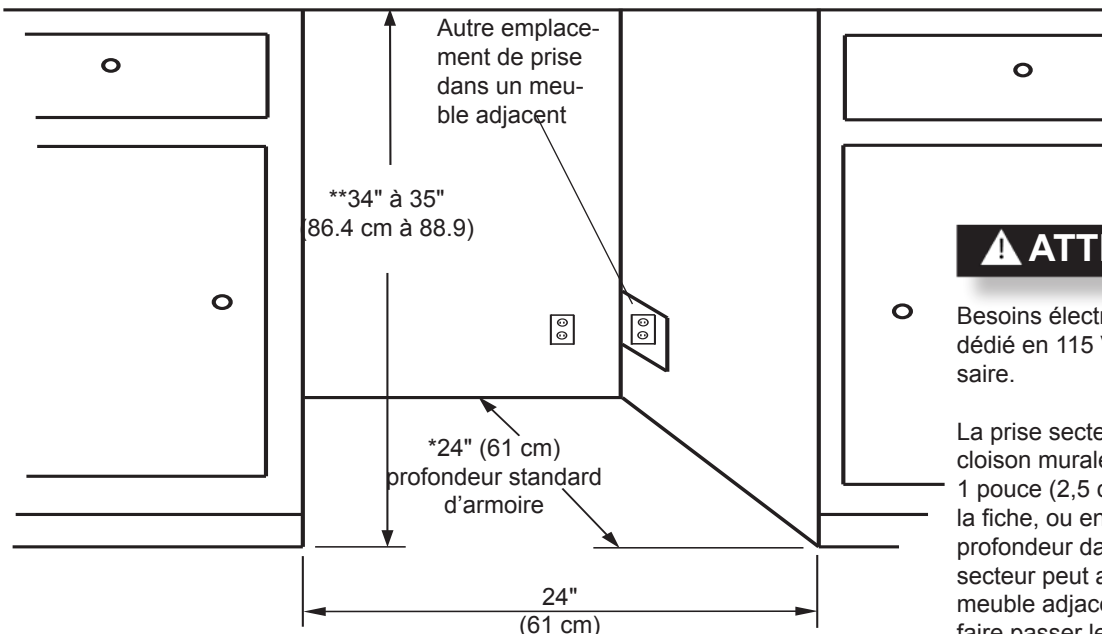
Si le montage au sol de la ferrure n'est pas possible, appelez l'assistance d'AGA Marvel (800-223-3900) pour obtenir une autre ferrure murale (N° de pièce 42245874). Cette ferrure a besoin de $\frac{7}{8}$ " (4,8 cm) derrière l'arrière du meuble pour son montage. 42245874.



DIMENSIONS DE MODÈLES D'INTÉRIEUR 6CRDE



DIMENSIONS D'OUVERTURE BRUTES RECOMMANDÉES, 6CRDE



⚠ ATTENTION

Besoins électriques : Un circuit secteur dédié en 115 V supportant 15 A est nécessaire.

La prise secteur peut être située sur la cloison murale derrière l'appareil. Ajoutez 1 pouce (2,5 cm) pour l'épaisseur de la fiche, ou encastrez la prise de cette profondeur dans la cloison. La prise secteur peut aussi être installée dans un meuble adjacent, avec une découpe pour faire passer le cordon secteur. Appliquez toutes les normes de construction locales à l'installation de l'électricité et de l'appareil.

Poids de l'appareil = 170 lbs. (77,1 kg)

* La dimension en profondeur peut varier selon chaque installation individuelle.

**Minimum rugueuse à l'ouverture requise est d'être supérieure à la hauteur ajustée de l'armoire.

UTILISATION DE VOS TIROIRS RÉFRIGÉRÉS

Figure 8



Démarrage de votre appareil

Votre armoire à tiroirs réfrigérés a été équipée d'un tableau de commande de réfrigération **Sentry System™**. Il est situé en haut de l'avant de l'armoire, et est accessible par le tiroir du haut. Votre appareil démarrera au branchement électrique initial. Au démarrage, le voyant Sentry System™ va clignoter en couleur ambre. C'est le fonctionnement normal. Appuyez sur le bouton "ON/OFF", l'appareil va se restaurer et le voyant DEL passe au vert (Référez-vous à la Figure 14 ci-dessus). Pour mettre en marche ou arrêter l'appareil, appuyez sur le bouton "ON/OFF" et maintenez-le enfoncé pendant au moins 5 secondes.

Détermination de votre mode de température

Ce produit peut afficher sa température intérieure en degrés Fahrenheit ou Celsius. Il suffit d'appuyer sur le bouton "F/C" du pavé de l'afficheur pour commuter d'un mode d'unité à l'autre.

Réglage de la température voulue

La plage de températures disponibles pour cet appareil de refroidissement va de 34 à 42°F (1 à 6 °C). Cette plage donne de la flexibilité pour la température de préférence, et permet des températures idéales pour conserver et pour servir. La température intérieure est initialement fixée en usine à 37°F (3 °C). Le point de consigne de température peut être abaissé ou monté en commençant par appuyer sur le bouton "SET" du pavé de l'afficheur. Une icône "SET" sera montrée à l'affichage de température. En actionnant et en relâchant un des boutons "WARMER" ou "COLDER" du pavé de l'afficheur, vous faites monter ou descendre la température de consigne par incréments d'un (1) degré par appui. Comme avec tout produit de réfrigération, il y aura une légère fluctuation de température aux différents endroits à l'intérieur des tiroirs de l'armoire.

Chargement de votre appareil

Chargez votre appareil avec les articles que vous voulez. Veuillez noter qu'il peut falloir jusqu'à 24 heures pour que votre appareil atteigne la température voulue une fois chargé. Cela va principalement dépendre de l'ampleur du contenu chargé dans votre armoire, et du nombre d'ouvertures et fermetures de ses tiroirs. Pensez-y quand vous chargez initialement les tiroirs. Les meilleurs résultats seront obtenus en permettant d'abord aux tiroirs de tomber en température au niveau de votre point de consigne, avant de les charger.

Éclairage intérieur

Les éclairages intérieurs en haut et en bas facilitent la vision de vos aliments et de vos boissons. L'éclairage s'active toujours quand un des tiroirs est ouvert, sauf si vous êtes dans le mode de Shabbath.

Cycle de dégivrage

De façon à maintenir une performance optimale, votre appareil doit être périodiquement passé en cycle de dégivrage, afin d'éliminer la glace formée.

Alertes d'avertissement

Le contrôleur Sentry System™ vous fera savoir si votre appareil ne fonctionne pas correctement pour les raisons suivantes : Tiroir ouvert, température trop élevée ou trop basse, et coupure d'alimentation. Ces alertes sont expliquées ci-dessous.

Alerte sur tiroir resté ouvert

Si un tiroir est laissé ouvert pour plus de cinq (5) minutes, cette alerte retentit et le voyant DEL clignote en vert. Cela cesse dès que le tiroir est refermé, ou peut se restaurer en appuyant sur le bouton "ON/OFF".

Alerte sur température trop haute ou trop basse

Si votre appareil atteint des températures hors de la plage de fonctionnement normale autour de votre point de consigne de 10° F pendant plus d'une (1) heure, cette alerte retentit et le voyant DEL clignote en rouge. Cela vous prévient que votre contenu a subi des températures qui peuvent être défavorables pour sa conservation à long terme. Cette alerte peut se restaurer en appuyant sur le bouton "ON/OFF".

Alerte sur coupure d'alimentation

Si votre appareil subit une coupure du secteur, le voyant DEL clignote en couleur ambre jusqu'à ce que l'alerte soit restaurée.

Restauration des alertes

Appuyez sur le bouton "ON/OFF" pendant environ une (1) seconde. Cela va restaurer toutes les alertes sonores et visuelles quand ce bouton est relâché.

Activation/désactivation des alertes du Sentry System™

Appuyez sur le bouton "SET" et maintenez-le enfoncé pendant cinq (5) secondes pour activer ou désactiver les alertes du Sentry System™. Le voyant à DEL va montrer un allumage fixe en vert en cas d'activation, en ambre en cas de désactivation.

CONSEILS POUR ÉCONOMIE D'ÉNERGIE, SOINS ET NETTOYAGE, ET INSTALLATION DE POIGNÉES DE TIROIRS

Les suggestions générales suivantes vont minimiser le coût de fonctionnement de votre appareil de refroidissement.

1. N'installez pas votre appareil près d'un autre appareil chaud (cuisinière, lave-vaisselle, etc.), d'une conduite d'air chaud, ou d'autres sources de chaleur.
2. Placez l'appareil à l'abri du rayonnement solaire direct.
3. Assurez-vous que les événements de la grille de plinthe devant l'appareil en bas du tiroir inférieur ne sont pas obstrués et maintenus propres de façon à permettre une ventilation du système de refroidissement et chasser la chaleur.
4. Branchez votre appareil sur un circuit d'alimentation secteur dédié (Sans partage avec d'autres appareils).
5. Quand vous chargez initialement votre produit neuf, ou au cas où de grosses quantités de contenu tiède sont placées dans le compartiment de conservation au froid, minimisez les ouvertures de tiroirs pendant les 12 heures qui suivent pour permettre au contenu de tomber à la température de consigne du compartiment.
6. En maintenant un compartiment d'entreposage relativement plein, il faut moins de périodes de fonctionnement en refroidissement de l'appareil qu'avec un compartiment vide.
7. Assurez-vous que la fermeture de tiroirs n'est pas obstruée par des denrées entreposées dans votre appareil.
8. Permettez aux denrées chaudes de revenir à la température ambiante avant de les placer dans l'appareil.
9. Minimisez la fréquence et la durée des ouvertures de tiroirs.
10. Utilisez le point de consigne de température le plus haut qui respecte votre préférence personnelle, et fournissez l'entreposage qui convient pour vos denrées conservées.
11. Quand vous êtes en vacances ou loin de la maison pour des périodes prolongées, réglez la consigne de l'appareil à la température la plus haute admissible pour la conservation de son contenu.
12. Réglez le contrôle en position d'arrêt (off) si le nettoyage de l'appareil nécessite que ses tiroirs restent ouverts pour une période longue.

Installation de poignées (certains modèles)

1. Sortez les poignées, (4) vis et une clé Allen de $\frac{5}{32}$ " du sac livré à l'intérieur du meuble.
2. Localisez le trou pour poignée situé en haut du tiroir et fixez-la en place en utilisant (2) vis serrées avec la clé Allen (Voir la Figure 9).
3. Répétez l'opération sur l'autre tiroir.

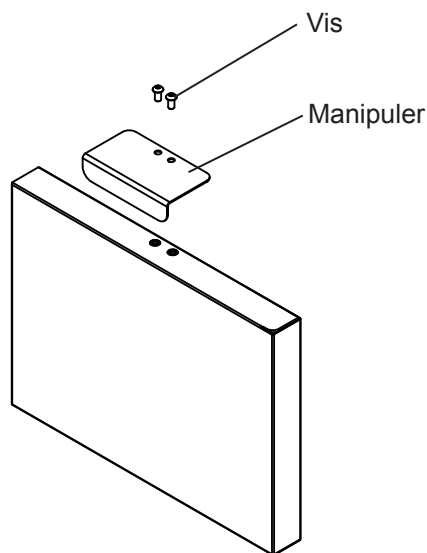


Figure 9

Armoire

L'armoire peinte peut se laver avec une solution savonneuse douce, puis soigneusement se rincer à l'eau potable. N'utilisez JAMAIS de produits nettoyants abrasifs.

Intérieur

Lavez le compartiment intérieur avec une solution savonneuse douce. N'utilisez pas de nettoyant abrasif, de solvant, de produit nettoyant/polissant ou de détergent non-dilué.

Entretien de l'appareil

1. Évitez de vous appuyer sur les devants de tiroirs, vous pourriez déformer leurs glissières ou faire basculer l'armoire.
2. Faites attention quand vous balayez, aspirez ou passez la vadrouille près de l'avant de l'appareil. Vous pourriez endommager sa grille.
3. Nettoyez périodiquement l'intérieur de l'appareil selon le besoin.
4. Vérifiez périodiquement la grille frontale et les serpentins de condenseur, et nettoyez-les si nécessaire.

DÉPANNAGE DE VOTRE ARMOIRE À TIROIRS RÉFRIGÉRÉS

Avant d'appeler pour du service

Si l'appareil semble présenter un dysfonctionnement, commencez par bien relire son manuel. Si le problème persiste, consultez le guide de dépannage qui suit. Identifiez le problème dans ce guide et consultez les colonnes de causes et de remèdes avant d'appeler pour du service. Le problème peut être quelque chose de très simple qui peut se résoudre sans demander une intervention de service. Cependant, il peut être nécessaire de contacter votre revendeur ou un technicien de service qualifié.

Si du service est nécessaire :

- Si le produit est encore dans sa première année de garantie, veuillez appeler le service à la clientèle d'AGA MARVEL au 800.223.3900 pour avoir des instructions sur la façon d'obtenir une couverture sous garantie dans votre secteur.
- Si le produit est sorti de sa première année de garantie, le service à la clientèle d'AGA MARVEL peut vous fournir des recommandations sur les centres de service de votre secteur. Une liste des centres de service agréés est également disponible sur le site www.agamarvel.com sous la section de service et d'assistance.
- Dans toute correspondance relative au service, assurez-vous de bien fournir la référence de modèle, le numéro de série et le justificatif de l'achat. La référence de modèle et le numéro de série sont situés à l'intérieur de la machine à glaçons, sur le côté gauche du revêtement.

- Essayez de donner des informations ou une description de la nature du problème, sur la durée pendant laquelle l'appareil a fonctionné, sur les températures de la pièce et de l'eau, et toutes les informations pouvant être utiles pour une résolution rapide du problème.
- Le Tableau B est fourni pour enregistrer les informations pertinentes sur votre produit, comme référence ultérieure.

Pour vos archives	
Date d'achat	
Nom du revendeur	
Adresse du revendeur	
Ville du revendeur	
État/province du revendeur	
Code Zip/postal du revendeur	
N° de série de l'appareil	
Référence de modèle de l'appareil	
Date d'envoi de la carte de garantie (à faire dans les 10 jours après l'achat)	

Tableau B

⚠ AVERTISSEMENT **Risque d'électrocution -**
Ne tentez jamais de réparer ou d'exécuter de la maintenance sur l'appareil avant que son alimentation électrique n'ait été débranchée en amont. Passer l'appareil sur arrêt (OFF) n'enlève pas la présence de tension secteur sur les fils de câblage.

Problème	Cause Possible	Correction
L'appareil n'est pas assez froid	<ul style="list-style-type: none"> • Le contrôle a une consigne trop chaude • La température du contenu n'est pas encore stabilisée • Utilisation excessive ou ouvertures prolongées des tiroirs. • Blocage du flux d'air de la grille frontale. • Défaut d'étanchéité du joint de tiroir. 	<ul style="list-style-type: none"> • Ajustez la température (Voir en page 8 le réglage de consigne) Laissez stabiliser la température 24 heures. • Laissez la température se stabiliser pendant au moins 24 heures. • Le flux d'air ne doit pas être obstrué à la grille frontale. Consultez les valeurs d'écartements en page 4. • Régler ou remplacer le joint de tiroir.
L'appareil est trop froid	<ul style="list-style-type: none"> • Le contrôle a une consigne trop froide • Défaut d'étanchéité du joint de tiroir. 	<ul style="list-style-type: none"> • Ajustez plus haut la consigne de température (Voir la page 8 pour les instructions). Laissez stabiliser la température 24 heures. • Régler ou remplacer le joint de tiroir.
Pas d'éclairage à l'intérieur des compartiments de tiroirs	<ul style="list-style-type: none"> • Panne de l'ensemble d'éclairage intérieur à DEL. 	<ul style="list-style-type: none"> • Contactez un technicien de service qualifié d'AGA MARVEL.
L'éclairage ne s'éteint pas quand le tiroir est fermé	<ul style="list-style-type: none"> • Le tiroir n'active pas l'interrupteur d'éclairage 	<ul style="list-style-type: none"> • L'appareil n'est pas d'aplomb, mettez-le de niveau (Voir en page 4, la section sur les pieds réglables).
Bruit ou vibration	<ul style="list-style-type: none"> • L'appareil n'est pas d'aplomb. 	<ul style="list-style-type: none"> • Mettez l'armoire d'aplomb, voyez en page 4 le réglage des pieds de mise à niveau.
L'appareil ne fonctionne pas.	<ul style="list-style-type: none"> • L'appareil est à l'arrêt. • Le cordon secteur n'est pas branché. • La prise secteur n'est pas alimentée. 	<ul style="list-style-type: none"> • Mettez l'appareil en marche. Voyez pour le démarrage de votre appareil en page 8. • Branchez la fiche du cordon. • Vérifiez l'alimentation électrique de votre maison.

GARANTIE SUR LES PRODUITS COMMERCIAUX DE RÉFRIGÉRATION

Produit complet - Garantie limitée d'un an sur pièces et main-d'œuvre

AGA MARVEL garantit à l'acheteur d'origine qu'il fournira toutes les pièces et la main-d'œuvre nécessaires pour réparer ou remplacer, dans l'établissement de l'utilisateur final, tout composant constaté défectueux par un représentant de MARVEL du fait des matériaux ou de la main-d'œuvre, en tenant compte des conditions et exclusions décrites plus bas, pendant une période d'une année à compter de la date d'achat par l'utilisateur final.

Système de réfrigération - Garantie additionnelle sur les pièces uniquement de la deuxième à la cinquième année

Durant les quatre ans suivant l'expiration de la garantie limitée d'un an, AGA MARVEL garantit à l'acheteur d'origine qu'il fournira des pièces de remplacement pour le système de réfrigération hermétiquement scellé, qui est constitué du compresseur, de l'évaporateur, du condenseur, du déshydrateur et des tubulures de raccordement, s'il est trouvé défectueux du fait de la main-d'œuvre ou des matériaux. Les autres pièces, les coûts de main-d'œuvre et les frais de transport sont de la responsabilité de l'utilisateur final.

S'il n'est pas à même de réparer ou remplacer le produit ou le composant défectueux, AGA MARVEL accordera un crédit à l'acheteur pour leur prix d'achat complet, qu'AGA MARVEL établira. La réparation, le remplacement ou le paiement de la façon décrite ci-dessus sera le remède unique et exclusif de l'acheteur au titre de la garantie.

L'acheteur doit avertir par écrit AGA MARVEL de tout défaut dénoncé sur le produit, dans les 30 jours suivant leur constatation par l'acheteur. Si un tel avertissement n'est pas donné dans ce délai, toute demande au titre de la garantie sera réputé d'office comme rejetable, et AGA MARVEL ne sera pas engagé à appliquer ces garanties. AGA MARVEL ou ses agents auront le droit d'examiner le produit. AGA MARVEL aura l'option de demander le retour du composant défectueux, en port payé à l'avance, pour établir la validité de la demande. L'acceptation par AGA MARVEL de tout composant renvoyé ne signifie pas l'acceptation que le produit est défectueux ni que la garantie est applicable, et si AGA MARVEL détermine que le produit n'était pas défectueux, le composant sera réexpédié à l'acheteur à ses frais. Aucun composant ne sera renvoyé à AGA Marvel sans son consentement préalable.

Les garanties précédentes ne couvrent pas :

Les coûts d'expédition des pièces de remplacement ou des pièces défectueuses renvoyées.

L'éducation du client ou des instructions sur la façon d'utiliser le réfrigérateur/congélateur.

- Toute perte de contenu, ou dommages accessoires ou consécutifs, ou pertes subies du fait de la défaillance du produit.
- Le déplacement ou l'installation du produit.

Les garanties qui précèdent ne couvrent pas non plus une panne de ce produit ou de ses composants due à :

- Transport, dommages subits durant le transit ou ultérieurement.
- Utilisation en environnements hostiles, ou pour conserver des contenus mauvais pour le l'équipement.
- Une utilisation incorrecte, un mésusage, un abus, un accident ou une altération, un câblage de raccordement non conforme aux normes électriques, une tension secteur trop élevée ou trop faible, un défaut d'entretien notoire, ou toute autre utilisation non raisonnable.
- Pièces ou service non fournis ou recommandés par AGA MARVEL.

Les garanties qui précèdent ne s'appliquent pas non plus si :

- L'acte de vente d'origine, la date de livraison, ou le numéro de série ne peuvent pas être vérifiés.
- L'équipement de refroidissement n'est plus en la possession de l'acheteur utilisateur final d'origine.

Les garanties décrites ici sont les seules garanties accordées par AGA MARVEL, et tiennent lieu de toutes les garanties implicites ou explicites, légales ou autres. En particulier AGA MARVEL ne donne pas de garantie de valeur marchande ou d'adéquation à une finalité spécifique.

La responsabilité d'AGA MARVEL pour tout défaut dans le produit ne dépassera pas son prix d'achat. **AGA MARVEL n'aura aucune responsabilité pour des dommages consécutifs d'aucune sorte, incluant, sans y être limité, blessure individuelle, dégâts matériels, perte de profits ou autre atteinte économique résultant d'un défaut dans le produit.**

Aucune personne, société ou corporation n'est autorisée à modifier, étendre ou approfondir ces garanties, à lever une quelconque de leurs limitations ou exclusions, ni à donner une quelconque autre garantie ou à assumer une autre obligation pour AGA MARVEL. Ces garanties ne s'appliquent qu'à des produits utilisés dans un des cinquante États des États Unis d'Amérique et dans le District de Columbia.

Pour obtenir une action dans le cadre de cette garantie, signalez tous les défauts constatés à :

AGA MARVEL

1260 E. VanDeinse St.
Greenville MI 48838

Appel gratuit : 800.223.3900



www.agamarvel.com

AGA MARVEL
1260 E. VanDeinse St.
Greenville MI 48838

800.223.3900

41011755-FR revA
6/20/12

Toutes les spécifications et les conceptions des produits sont sujettes à des changements sans préavis. De telles révisions ne donnent aucun droit pour l'acheteur de produits antérieurs à bénéficier de ces changements, améliorations, ajouts, remplacements, ni de recevoir une compensation.