



24" Marvel Professional Dual Zone Wine and Beverage Center

Model # MP24WB

Performance

- Two independently controlled temperature zones offer dual options for wine and beverage storage
- Upper zone environment is ideal for wine storage (45° F to 60° F) and the lower zone is designed for beverages and perishables (34° F to 42° F)
- Dynamic Cooling Technology™ delivers rapid cool down, frost-free operation and the industry's best temperature stability
- Vibration Neutralization System™ protects wine from agitation, allowing it to come to full maturation
- Thermal-efficient cabinet ensures optimum food preservation and energy efficiency while maximizing capacity
- Argon-filled, UV-resistant tinted dual pane glass door protects contents from damaging ultraviolet light, while conserving energy
- Now even quieter operation thanks to exclusive design enhancements to buffer and minimize sound

Storage Capabilities

- 5.1 total cu. ft.
 - 1.85 cu. ft. upper zone stores 7 bottles on (1) smooth-glide display wine rack with heavy-gauge wire cradles
 - 3.27 cu. ft. lower zone can hold (112) 12-oz cans, (64) longneck bottles
- Tall-item storage: lower zone features cantilevered shelving that allows for high-clearance vertical items
- Lower shelf glides out for easy access and features 3-in-1 Convertible Shelf™ with removable glass pane for wine rack option
- Access contents easily with full-extension, glide-out shelving on the Smooth Glide™ ball bearing system
- Cantilevered shelving system adjusts height to your storage needs

Touchpad Controls

- Multifunction Marvel Intuit™ Integrated Controls feature convenient settings for the ultimate programmability and allow you to select a precise temperature for each zone
- Vacation mode conserves energy during times when unit is not in use

Aesthetics

- Soft-close integrated hinge provides a seamless zero clearance installation and a smooth gentle close
- At the touch of a button, change the interior light color to sapphire blue, amber glow, or arctic white
- Two-stage theater-style lighting offers full or half illumination
- Elegant midnight black interior
- Professional styling: stainless-steel-framed glass door, sturdy full-length handle, sleek stainless steel shelf fronts and stainless steel toe kick adjustable to 4" with leveling legs
- Finish options: stainless steel or overlay (panel ready)



Additional Convenience

- Close Door Assist System™ gently and automatically draws door to a close, ensuring door is never accidentally left ajar
- Door lock provides added safety and security
- 3-year parts and labor warranty, 5-year sealed system parts warranty

Ordering Options

Stainless Frame, Glass Door with Lock, Integrated Right Hinge, Professional Handle	MP24WBG4RS
Stainless Frame, Glass Door with Lock, Integrated Left Hinge, Professional Handle	MP24WBG4LS
Panel-Ready Framed Glass Door with Lock, Integrated Right Hinge (Handle Not Included)*	MP24WBF4RP
Panel-Ready Framed Glass Door with Lock, Integrated Left Hinge (Handle Not Included)*	MP24WBF4LP

*Easy installation! No panel kit required. Consult your cabinet maker for overlay panel and handle options.



Finish Options

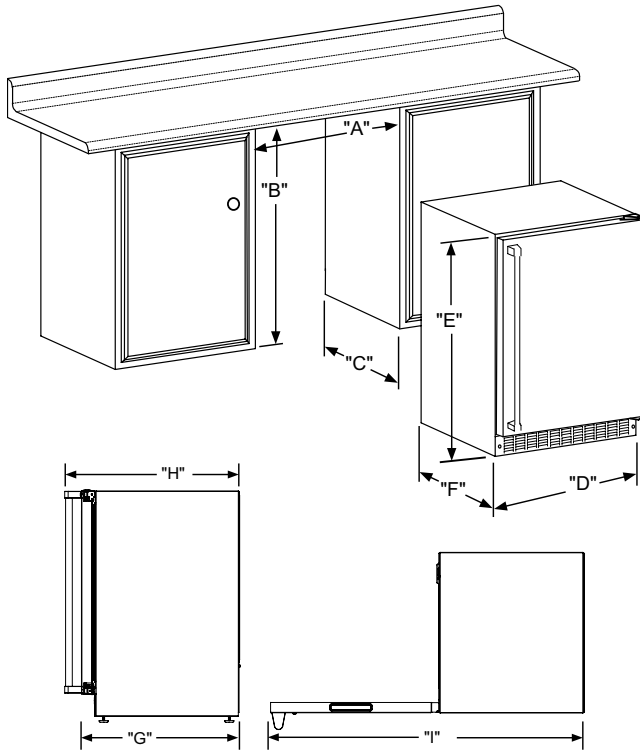


Stainless Steel

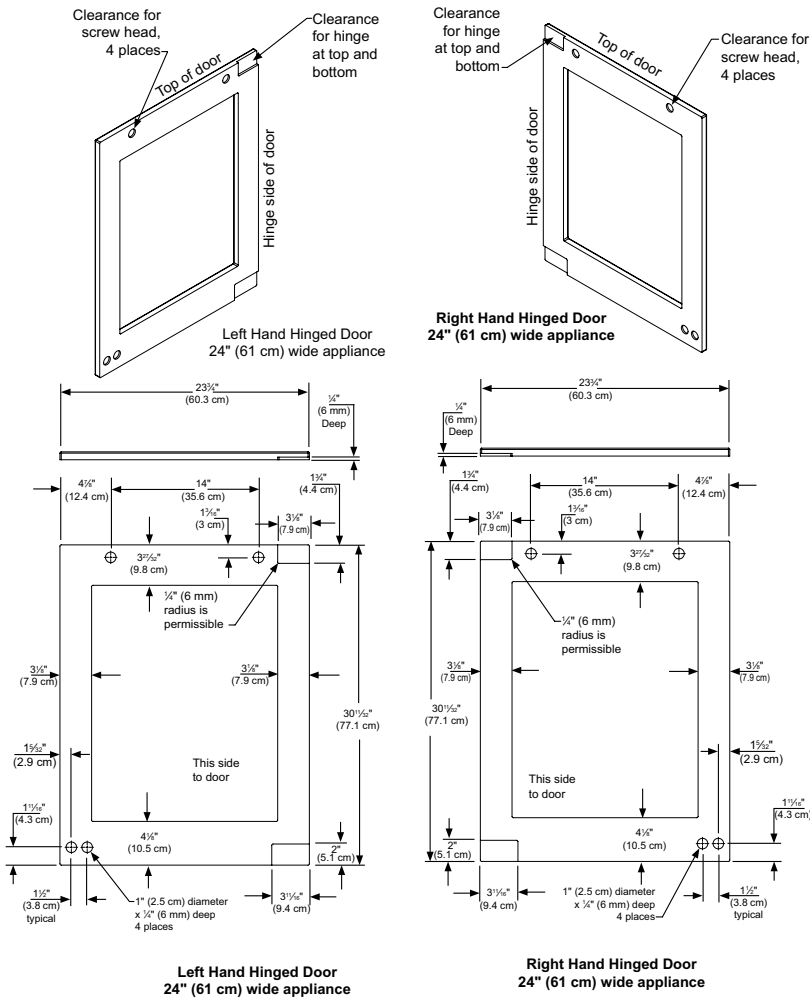


Framed Overlay (Panel Ready)*

Product Dimensions



Panel Overlay Dimensions



Rough-In Dimensions

A. Rough-In Width	24"
B. Rough-In Height	34 1/4" to 35 1/25"
C. Rough-In Depth	24"

Product Dimensions

D. Width	23 7/8"	
E. Height	34" to 35"	
F. Depth	21 1/2"	
G. Depth to Front of Door	Solid Door	23 23/32"
	Overlay Door	22 7/8" Without Handle
H. Depth to Handle	26 7/32" (Stainless Steel)	
I. Depth with door at 90°	Solid Door	46 13/32"
	Overlay Door	46 1/2"

Product Features

Interior Cabinet Finish	Black
Capacity	Upper Zone: Up to 7 wine bottles
	Lower Zone: 112 12oz cans
Shelving System	Smooth Glide System™
Shelf Fronts	Stainless Steel
Other Storage	7-Bottle Wine Rack,
	3-in-1 Convertible Shelf™
Interior Lighting	Tri-Color LED
Toe Grill Finish	Stainless Steel
Hinge	Soft Close Integrated Hinge
Handle	Professional (Panel Overlay Does Not Include Handle)
Control Type	Intuit™
Temperature Range	Top: 45° to 60° F Bottom: 34° to 42° F
Lock	Yes
Electrical Requirements	120V / 60Hz / 15A
Length of Power Cord	6'
Shipping Weight	160 lbs
Finishes	Stainless Steel, Overlay
Vacation Mode	Yes
Agency Approvals	CSA

For comprehensive installation instructions, please visit www.marvelrefrigeration.com to access the owner's guide.