



24" Marvel Professional Beverage Center with 3-in-1 Convertible Shelves and Display Wine Rack

Model # MP24BCG3

Performance

- Dynamic Cooling Technology™ delivers the industry's best temperature stability and rapid cool down, tested and proven to cool nearly 2x faster than competitors
- Thermal-efficient cabinet ensures optimum food preservation and energy efficiency while maximizing capacity
- Argon-filled, UV-resistant tinted dual pane glass door protects contents from damaging ultraviolet light, while conserving energy
- Now even quieter operation thanks to exclusive design enhancements to buffer and minimize sound

Storage Capabilities

- 5.3 cu. ft. capacity, stores 19 wine bottles total (14 flat, 5 cradled) and holds (108) 12-oz cans
- (2) 3-in-1 Slide-Out Convertible Shelves™ feature removable glass pane with wine rack option to store beverages, food or wine
- Display wine rack glides out for easy access and holds 5 wine bottles, including magnum sizes
- Cantilevered, fully adjustable glass shelving system with stainless steel shelf fronts

Touchscreen Controls

- Multifunction Marvel Intuit™ Integrated Controls allow you to select a precise cabinet temperature from 34° F to 42° F
- Vacation mode conserves energy during times when unit is not in use
- For expanded information on all functions, open the gatefold at the beginning of this catalog

Aesthetics

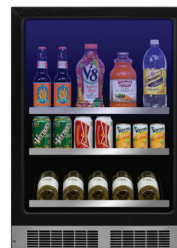
- Soft-close integrated hinge provides a seamless zero clearance installation and a smooth gentle close
- Professional styling: stainless-steel framed glass door, sturdy full-length handle, sleek stainless steel shelf fronts and stainless steel toe kick adjustable to 4"
- Two-stage, soft blue theater-style LED lighting and sophisticated midnight black interior
- Finish options: stainless steel or overlay (panel ready)

Additional Convenience

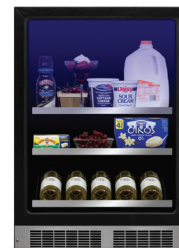
- Close Door Assist System™ gently and automatically draws door to a close, ensuring door is never left ajar
- Door lock provides added safety and security
- Height adjustment up to 1" with leveling legs
- 3-year parts and labor warranty, 5-year sealed system parts warranty



3-IN-1 SLIDE OUT CONVERTIBLE SHELVES



Beverages



Food



Wine

Ordering Options

Stainless Frame, Glass Door with Lock, Integrated Right Hinge, Professional Handle	MP24BCG3RS
Stainless Frame, Glass Door with Lock, Integrated Left Hinge, Professional Handle	MP24BCG3LS
Panel-Ready Framed Glass Door with Lock, Integrated Right Hinge (Handle Not Included)*	MP24BCF3RP
Panel-Ready Framed Glass Door with Lock, Integrated Left Hinge (Handle Not Included)*	MP24BCF3LP

Finish Options



Stainless Steel



Framed Overlay (Panel Ready)*

*Easy installation! No panel kit required. Consult your cabinet maker for overlay panel and handle options.

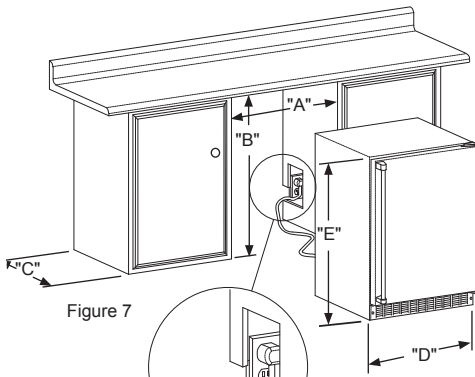


Figure 7

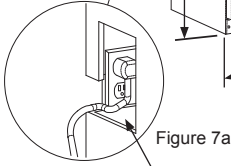
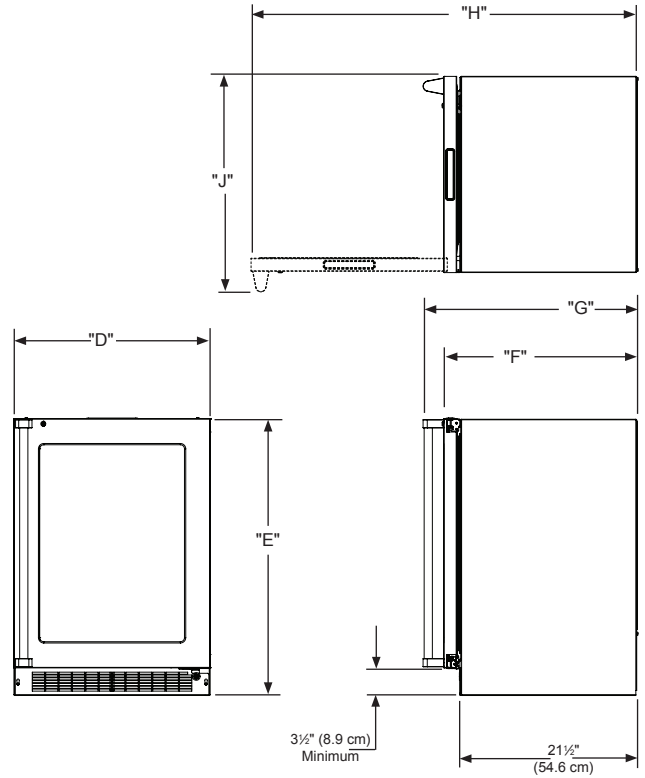


Figure 7a

If necessary to gain clearance inside the rough-in opening a hole can be cut through the adjacent cabinet and the power cord routed through this hole to a power outlet. Another way to increase the available opening depth is to recess the power outlet into the rear wall to gain the thickness of the power cord plug. Not all recessed outlet boxes will work for this application as they are too narrow, but a recessed outlet box equivalent to Arlington #DVFRIW is recommended for this application, (see Figure 8).



Figure 8



MODEL	ROUGH-IN OPENING DIMENSIONS			CABINET DIMENSIONS					
	"A"	"B"	"C"	"D"	"E"	"F"	"G"	"H"	"J"
MP15BCG	15" (38.1 cm)	**34" to 35" (86.4 to 88.9 cm)	*	14 7/8" (37.8 cm)	33 3/4" to 34 3/4" (85.7 to 88.3 cm)	23 23/32" (60.2 cm)	26 7/32" (66.6 cm)	37 13/32" (95 cm)	17 1/16" (44.3 cm)
MP15BCF	15" (38.1 cm)	**34 1/4" to 35 1/4" (87 to 89.5 cm)	*	14 7/8" (37.8 cm)	34" to 35" (86.4 to 88.9 cm)	22 7/8" (58.1 cm)	-	7 1/2" (95.2 cm)	14 1/8" (35.9 cm)
MP24**S	24" (61 cm)	**34" to 35" (86.4 to 88.9 cm)	*	23 7/8" (60.7 cm)	33 3/4" to 34 3/4" (85.7 to 88.3 cm)	23 23/32" (60.2 cm)	26 7/32" (66.6 cm)	46 13/32" (117.9 cm)	26 7/16" (67.2 cm)
MP24**G	24" (61 cm)	**34" to 35" (86.4 to 88.9 cm)	*	23 7/8" (60.7 cm)	33 3/4" to 34 3/4" (85.7 to 88.3 cm)	23 23/32" (60.2 cm)	26 7/32" (66.6 cm)	46 13/32" (117.9 cm)	26 7/16" (67.2 cm)
MP24**F	24" (61 cm)	**34 1/4" to 35 1/4" (87 to 89.5 cm)	*	23 7/8" (60.7 cm)	34" to 35" (86.4 to 88.9 cm)	22 7/8" (58.1 cm)	-	46 1/2" (118.1 cm)	23 1/8" (58.7 cm)

Width	23 7/8"
Interior Finish	Black
Capacity	Up to 19 wine bottles Up to 108 12-oz cans
Shelving System	Side Mount Bottle shape wire
Shelf Fronts	Stainless Steel
Other Storage	Display Wine Rack
Interior Lighting	2 LED Pods
Toe Grill Finish	Stainless Steel
Hinge	Soft Close Integrated Hinge
Handle	Professional

Control Type	Intuit™
Temperature Range	34° - 42° F
Lock	Yes
Electrical Requirements	120V / 60Hz / 15A
Length of Power Cord	5'
Product Dimensions	23 7/8" W x 33 3/4" H x 21 1/2" D
Depth to Front of Door	23 23/32"
Depth to Handle	26 7/32"
Depth with door at 90°	46 13/32"
Shipping Weight	160 lbs

Finishes	SS, O
Vacation / Sabbath Mode	Yes
Agency Approvals	CSA
Energy Star Certified	

Finishes Key

SS = Stainless Steel
O = Overlay

Overlay Panels

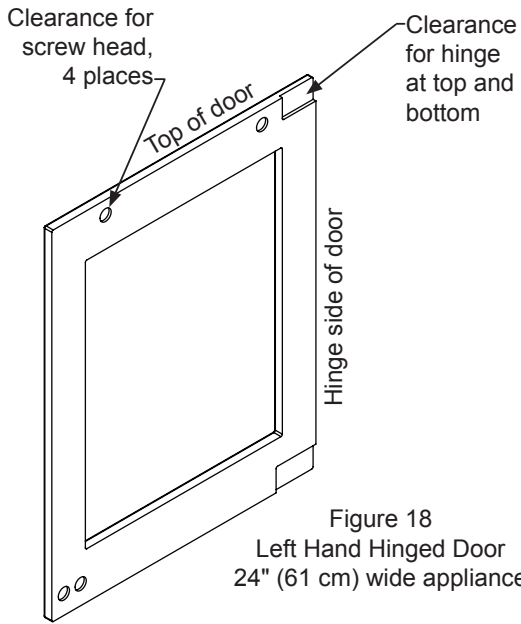


Figure 18
Left Hand Hinged Door
24" (61 cm) wide appliance

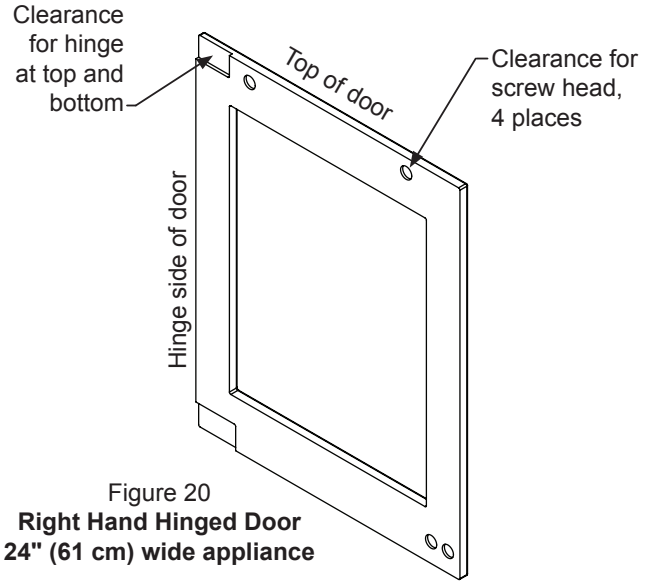


Figure 20
Right Hand Hinged Door
24" (61 cm) wide appliance

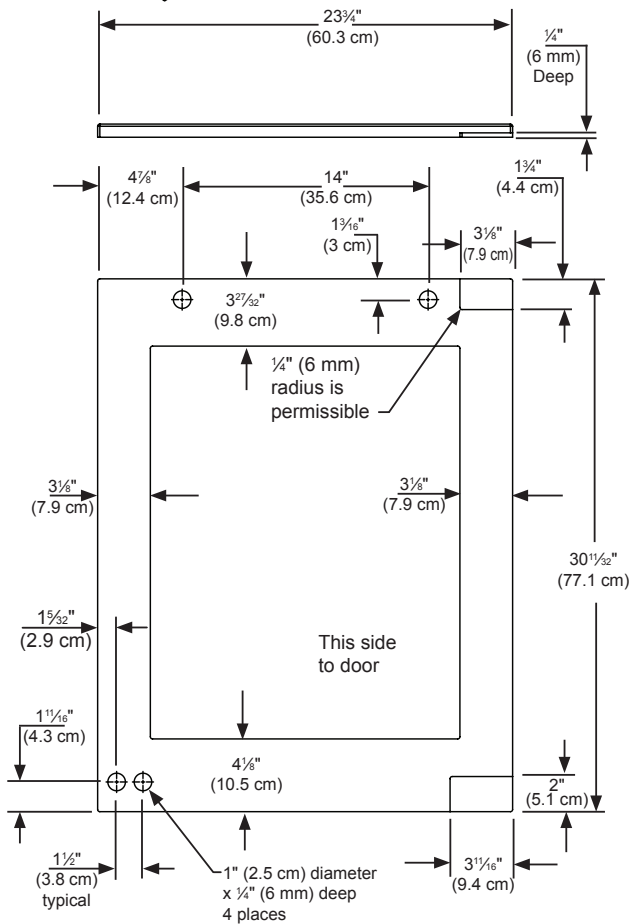


Figure 19
Left Hand Hinged Door
24" (61 cm) wide appliance

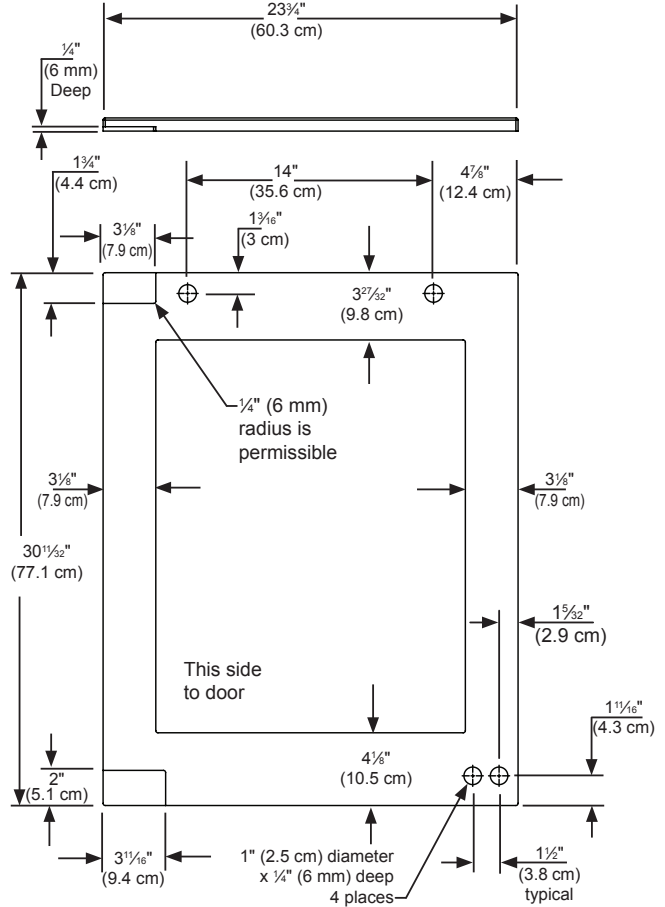


Figure 21
Right Hand Hinged Door
24" (61 cm) wide appliance

For comprehensive installation instructions, please visit www.marvelrefrigeration.com to access the owner's guide.